

Container accommodation in Qatar(side toilet)

Building overview;

1. The building is a single disassembled container with a size of 6058×3025×2591mm. Quantity: 2900 units in total.

Load;

Wind load: 150km/h

Snow load: /

Live load of container's bottom: 2.00kN/m2

Material parameters;

1. Container's frame: All profiles are made of SGH440 high-strength galvanized, powder sprayed and painted (the main long beam of the container is 2.9mm, the short main beam is 2.3mm, and the column is 2.3mm), and the frame color is divided into six colors (RAL(K7)1032(500 units)/RAL(K7)3012(500 units)/RAL(K7)1019(500 units)/RAL(K7)6034(500 units)/RAL(K7)7035(500 units)/RAL(K7)7036(400 units)) . There are 9 secondary beams at the bottom of the container (thickness 1.5mm), no forklift beams.

2. Container's roof panel: 70mm rock wool sandwich panel for roof, rock wool density 70kg/m3, the upper color steel plate with a thickness of 0.35mm (the color corresponds to the frame color, the color steel plate surface coating is AZ50g/m2+PE paint 15/5um) + the thickness of the lower color steel plate is 0.35mm (the color is RAL (E3) 120-1, and the surface coating of the color steel plate is AZ50g/m2 + PE paint 15/5um).

3. Exterior wall panel: 50mm rock wool sandwich panel, rock wool density 70kg/m3, color steel plate thickness is 0.35mm, wall panel double-sided film, the color of the outer panel corresponds to the color of the frame, the color of the inner panel is RAL (E3) 120 -1, the surface coating of color steel plate is AZ50g/m2+PE paint 15/5um.

4. Interior wall panel: 50mm rock wool sandwich panel, rock wool density 70kg/m3, color steel plate thickness is 0.35mm, double-sided film, double-sided color RAL(E3)120-1, the surface coating of the color steel plate is AZ50g/m2+PE paint 15/5um.

5. Floor parameters: 2.0mm PVC floor + 18mm cement fiber board.

6. Door: D1: 920x2035mm high and low threshold steel single door (outer right, inner rock wool filling) (color white) (1 pc)
D2: 700x2035 flat threshold steel single door (inner left) (color white) (1 pc)

7. Window: W1: 940x1330mm PVC integrated roller shutter, single glass sliding window with screen window and window cover (color white) (2 pcs)
W2: 600x500mm PVC single glass frosted sliding window with screen window with window cover (color white) (1 pc)

8. Bathroom standard: 1 set of 900x900mm shower room (including shower chassis,shower head, glass wall, glass door, the thickness of glass is 6mm), one porcelain toilet, one 450x800mm washbasin + bathroom cabinet + mirror, 1 floor drain (installed on-site by customer),1 bidet, with inlet and outlet pipes provided(installed on-site by customer).

9. Furniture: 700x500mm pantry+ 30L water heater+ wall mounted fan(1 pc)

10. Ventilating fan: F1: 6 inch square PVC ventilating fan (Including pull switch)(1 pc)

11. Electricity standard: 240V 50hz, 3 big lights (warm color, diameter 320mm, color temperature 3000k,18W), 1 small light for pantry(warm color, diameter 230mm, color temperature 3000k,8W),1 single-connection single-control switch, 1 double-connection single-control switch, 1 charging socket (single panel with 2 three pin sockets + 2 USB sockets), 6 three pin normal sockets, 1 distribution box, 1 outdoor junction box (socket requires British standard).

Note: The lifting of the container is handled by the customer on site.

Copyright 2016.

本图版权归浙江普天集成房屋有限公司所有，除本工程外对本图的任何用途和复制，必须获得本公司的书面许可。
THE OWNERSHIP OF THE COPYRIGHT IN THIS DRAWING IS RETAINED BY ZHEJIANG PUTIAN INTEGRATED HOUSING CO.LTD. WRITTEN CONSENT MUST BE OBTAINED BEFORE ANY USE OR REPRODUCTION OF THE DRAWING.

| 版本 Rev. | 修改内容 Description | 日期 Date | 发布人 who send |
|------------|---------------------|------------|-----------------|
|------------|---------------------|------------|-----------------|



Zhejiang Putian integrated housing Co., Ltd.
Hangzhou Zhongpu Architecture Design (institute) Co., Ltd.

| | |
|------|--|
| 证书等级 | |
| 证书编号 | |

| | |
|--------------------------------|--|
| 合作设计单位 Cooperative Designer | |
|--------------------------------|--|

| 工序 Process | 签名 Signature | 日期 Date |
|---------------------|-----------------|------------|
| 审定 Authorized By | | |
| 审核 Verified By | | |
| 项目负责人 Process | | |
| 校对人 Checked By | | |
| 设计 Designed By | xij | 04/06/22 |
| 制图 Drawn By | xij | 04/06/22 |

| | |
|----------------------------|--|
| 执业签章 Engineer Signature | |
|----------------------------|--|

| | |
|----------------------------|--|
| 出图签章 Engineer Signature | |
|----------------------------|--|

| | |
|----------------------|-----------|
| 项目名称 Project Name | 卡塔尔-集装箱宿舍 |
|----------------------|-----------|

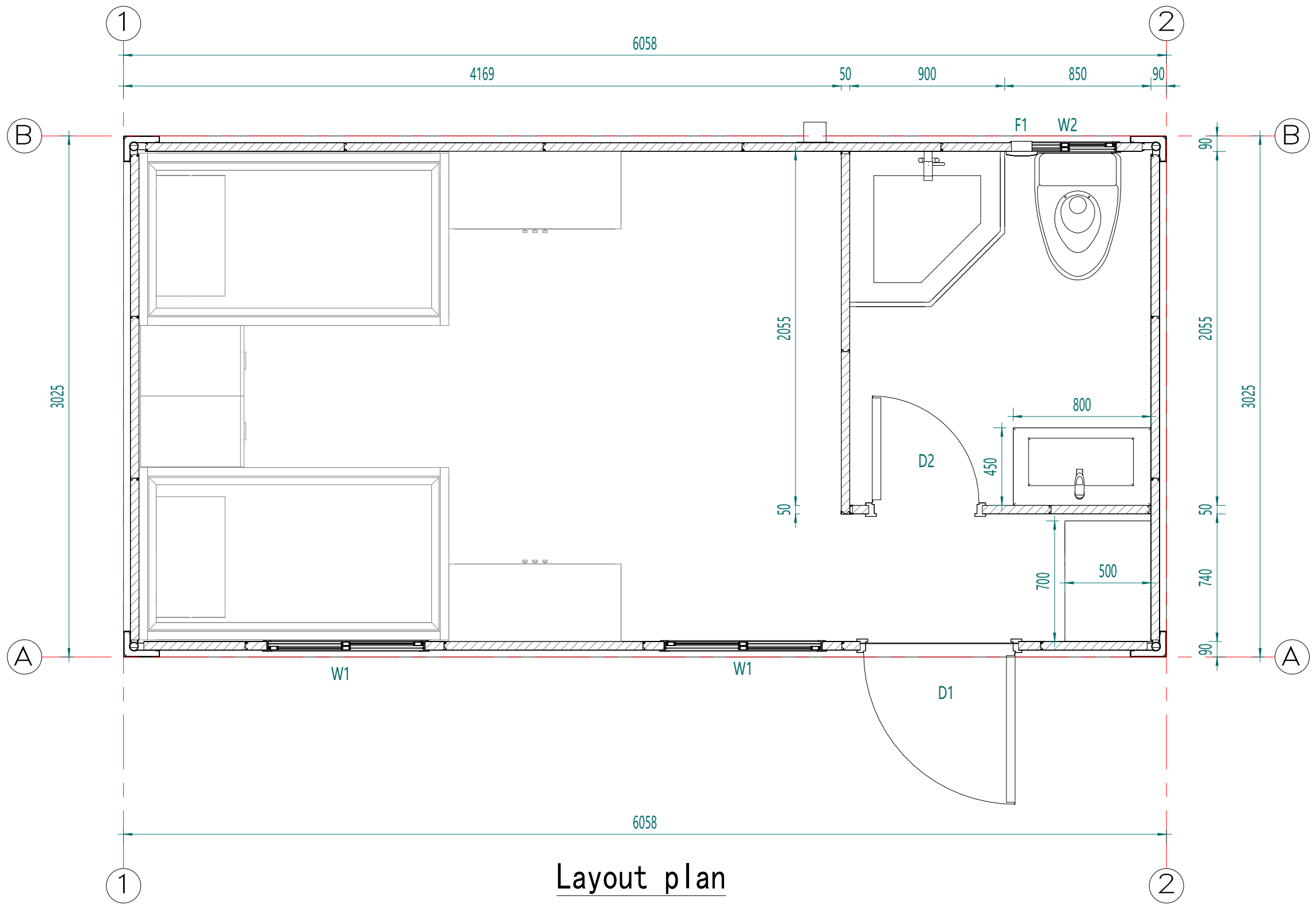
| | |
|-------------|------|
| 图名 Title | 设计说明 |
|-------------|------|

| | | | |
|---------------|------------|-------------------|------|
| 工程编号 Title | PT220311-1 | 专业 Type | JZ |
| 比例 Scale | | 图号 Drawing No. | J0-0 |

未盖技术出图章 本图纸无效
This drawing is valid only after being stamped and
checked by the client.

| | | |
|----|----|-----|
| 电力 | 暖通 | 动力 |
| 建筑 | 结构 | 给排水 |
| 会签 | | |

| | | |
|----|----|-----|
| 电力 | 暖通 | 动力 |
| 建筑 | 结构 | 给排水 |
| 会签 | | |



Layout plan

Copyright 2016.
 本图版权归浙江普天集成房屋有限公司所有，除本工程外对本图的任何其它用途和复制，必须获得本公司的书面许可。
 THE OWNERSHIP OF THE COPYRIGHT IN THIS DRAWING IS RETAINED BY ZHEJIANG PUTIAN INTEGRATED HOUSING CO.,LTD. WRITTEN CONSENT MUST BE OBTAINED BEFORE ANY USE OR REPRODUCTION OF THE DRAWING.

| 版本 Rev. | 修改内容 Description | 日期 Date | 发布人 who send |
|---------|------------------|---------|--------------|
| | | | |

PTH
 Zhejiang Putian integrated housing Co., Ltd.
 Hangzhou Zhongpu Architecture Design (institute) Co., Ltd.

证书等级
 证书编号
 合作设计单位
 Cooperative Designer

| 工序 Process | 签名 Signature | 日期 Date |
|------------------|--------------|----------|
| 审定 Authorized By | | |
| 审核 Verified By | | |
| 项目负责人 Process | | |
| 校对 Checked By | | |
| 设计 Designed By | xj | 04/06/22 |
| 制图 Drawn By | xj | 04/06/22 |

执业签章
 Engineer Signature

出图签章
 Engineer Signature

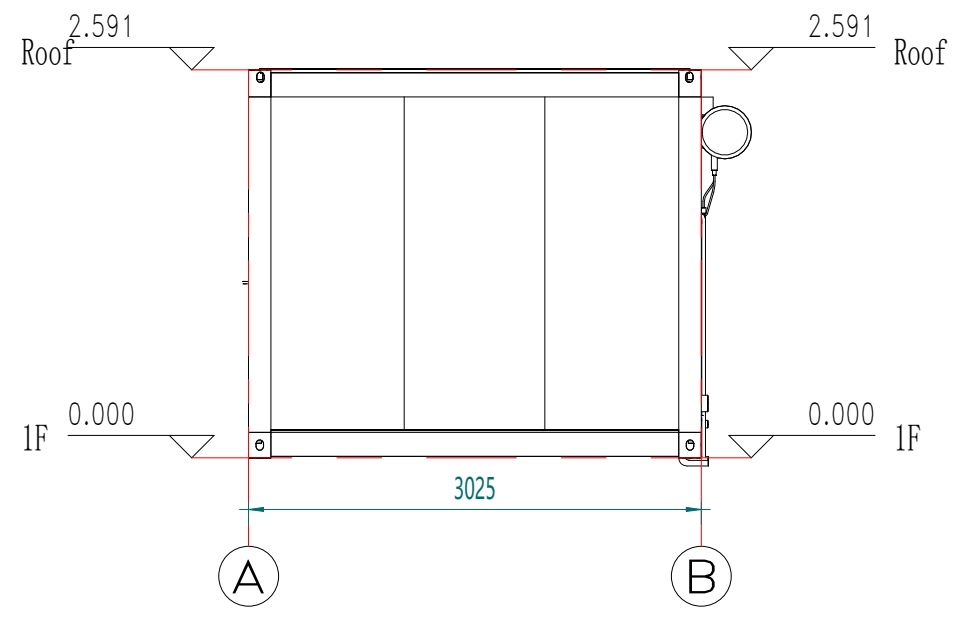
项目名称
 Project Name
卡塔尔-集装箱宿舍

图名
平面布置图

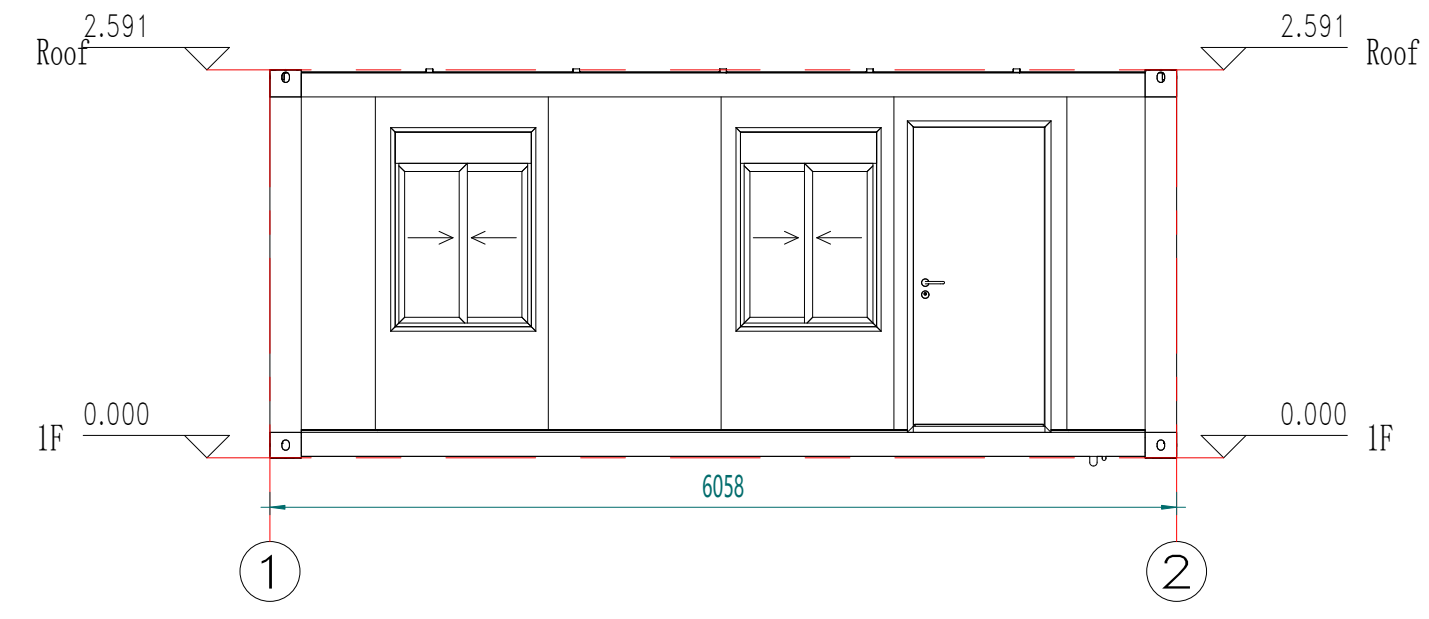
| | | | |
|-------------|------------|----------------|------|
| 工程编号 No. | PT220311-1 | 专业 Type | JZ |
| 比例 Scale | | 图号 Dwg. No. | J0-1 |

未盖技术出图章 本图纸无效
 This drawing is valid only after being stamped and released by the client.

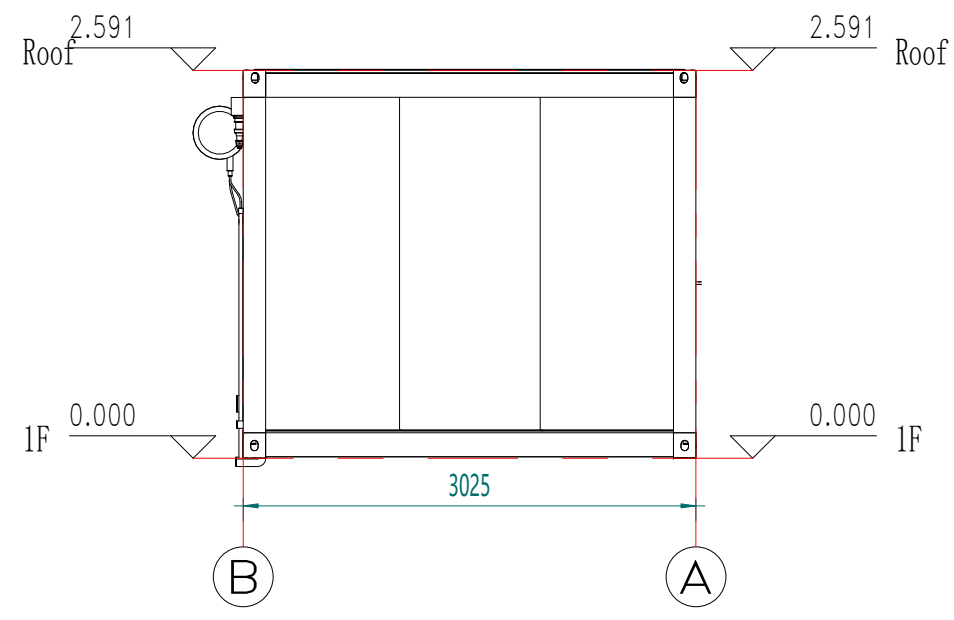
| | | |
|----|----|-----|
| 电力 | 暖通 | 动力 |
| 建筑 | 结构 | 给排水 |
| 会 | 签 | |



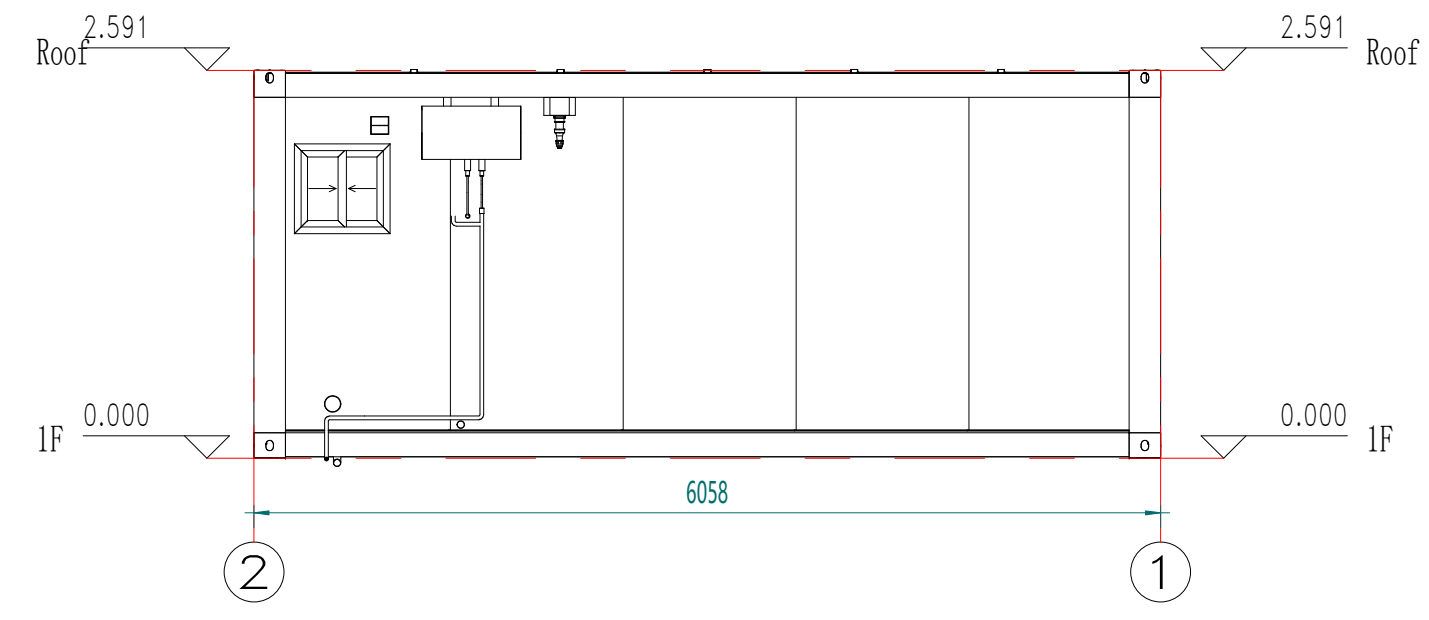
East facade



South facade



West facade



North facade

Copyright 2016.
 本图版权归浙江普天集成房屋有限公司所有，除本工程外对本图的任何其它用途和复制，必须获得本公司的书面许可。
 THE OWNERSHIP OF THE COPYRIGHT IN THIS DRAWING IS RETAINED BY ZHEJIANG PUTIAN INTEGRATED HOUSING CO.,LTD. WRITTEN CONSENT MUST BE OBTAINED BEFORE ANY USE OR REPRODUCTION OF THE DRAWING.

| 版本 Rev. | 修改内容 Description | 日期 Date | 发布人 who send |
|---------|------------------|---------|--------------|
| | | | |

PTH
 Zhejiang Putian integrated housing Co., Ltd.
 Hangzhou Zhongpu Architecture Design (institute) Co., Ltd.

| | |
|--------------------------------|--|
| 证书等级 | |
| 证书编号 | |
| 合作设计单位 Cooperative Designer | |

| 工序 Process | 签名 Signature | 日期 Date |
|------------------|--------------|----------|
| 审定 Authorized By | | |
| 审核 Verified By | | |
| 项目负责人 Process | | |
| 校对人 Checked By | | |
| 设计 Designed By | xj | 04/06/22 |
| 制图 Drawn By | xj | 04/06/22 |

执业签章
Engineer Signature

出图签章
Engineer Signature

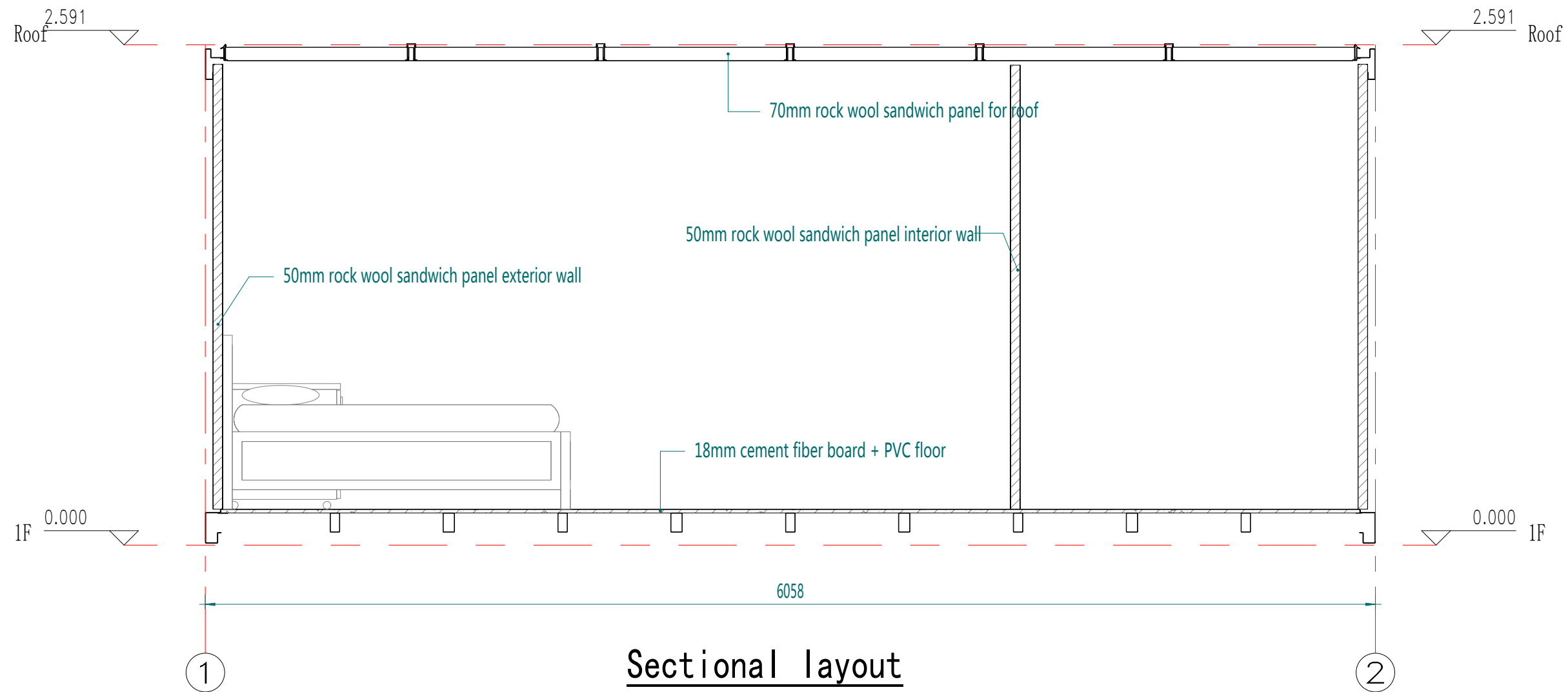
项目名称
Project Name
卡塔尔-集装箱宿舍

图名
立面布置图

| | | | |
|--------------|------------|--------------|------|
| 工程编号 Time | PT220311-1 | 专业 Type | JZ |
| 比例 Scale | | 图号 Dwg.No | J0-2 |

未盖技术出图章 本图纸无效
 This drawing is valid only after being stamped and released by the client.

| | | |
|----|----|-----|
| 电力 | 暖通 | 动力 |
| 建筑 | 结构 | 给排水 |
| 会签 | | |



Sectional layout

Copyright 2016.
 本图版权归浙江普天集成房屋有限公司所有，除本工程外对本图的任何其它用途和复制，必须获得本公司的书面许可。
 THE OWNERSHIP OF THE COPYRIGHT IN THIS DRAWING IS RETAINED BY ZHEJIANG PUTIAN INTEGRATED HOUSING CO.,LTD. WRITTEN CONSENT MUST BE OBTAINED BEFORE ANY USE OR REPRODUCTION OF THE DRAWING.

| 版本 Rev. | 修改内容 Description | 日期 Date | 发布人 who send |
|---------|------------------|---------|--------------|
|---------|------------------|---------|--------------|

PTH
 Zhejiang Putian integrated housing Co., Ltd.
 Hangzhou Zhongpu Architecture Design (institute) Co., Ltd.

证书等级
 证书编号
 合作设计单位
 Cooperative Designer

| 工序 Process | 签名 Signature | 日期 Date |
|------------------|--------------|----------|
| 审定 Authorized By | | |
| 审核 Verified By | | |
| 项目负责人 Process | | |
| 校对人 Checked By | | |
| 设计 Designed By | xj | 04/06/22 |
| 制图 Drawn By | xj | 04/06/22 |

执业签章
 Engineer Signature

出图签章
 Engineer Signature

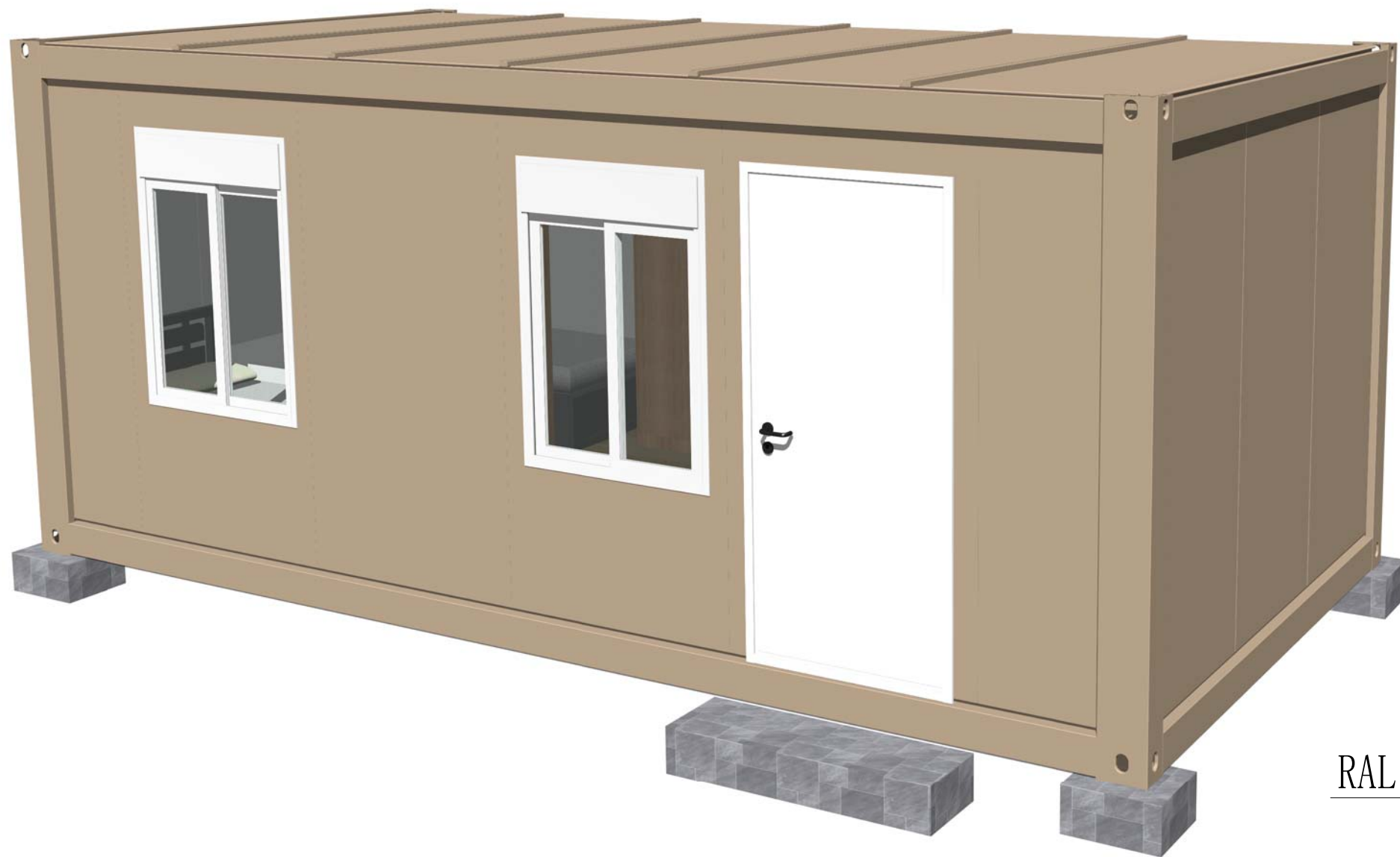
项目名称
 Project Name
卡塔尔-集装箱宿舍

图名
剖面布置图

| | | | |
|-------------|------------|----------------|------|
| 工程编号 No. | PT220311-1 | 专业 Type | JZ |
| 比例 Scale | | 图号 Dwg. No. | J0-3 |

未盖技术出图章 本图纸无效
 This drawing is valid only after being stamped and released by the office.

| | | |
|-----|----|----|
| 会签 | 建筑 | 电力 |
| 给排水 | 结构 | 暖通 |
| | | 动力 |



RAL1019

Note: The color is for reference only, the specific color is subject to the order remarks or samples.

Copyright 2016.
 本图版权归浙江普天集成房屋有限公司所有，除本工程外对本图的任何其它用途和复制，必须获得本公司的书面许可。
 THE OWNERSHIP OF THE COPYRIGHT IN THIS DRAWING IS RETAINED BY ZHEJIANG PUTIAN INTEGRATED HOUSING CO.,LTD. WRITTEN CONSENT MUST BE OBTAINED BEFORE ANY USE OR REPRODUCTION OF THE DRAWING.

| 版本 Rev. | 修改内容 Description | 日期 Date | 发布人 who send |
|------------|---------------------|------------|-----------------|
|------------|---------------------|------------|-----------------|

PTH
 Zhejiang Putian integrated housing Co., Ltd.
 Hangzhou Zhonggu Architecture Design (institute) Co., Ltd.

证书等级
 证书编号

合作设计单位
 Cooperative Designer

| 工序 Process | 签名 Signature | 日期 Date |
|---------------------|-----------------|------------|
| 审定 Authorized By | | |
| 审核 Verified By | | |
| 项目负责人 Process | | |
| 校对 Checked By | | |
| 设计 Designed By | xjj | 03/31/22 |
| 制图 Drawn By | xjj | 03/31/22 |

执业签章
 Engineer Signature

出图签章
 Engineer Signature

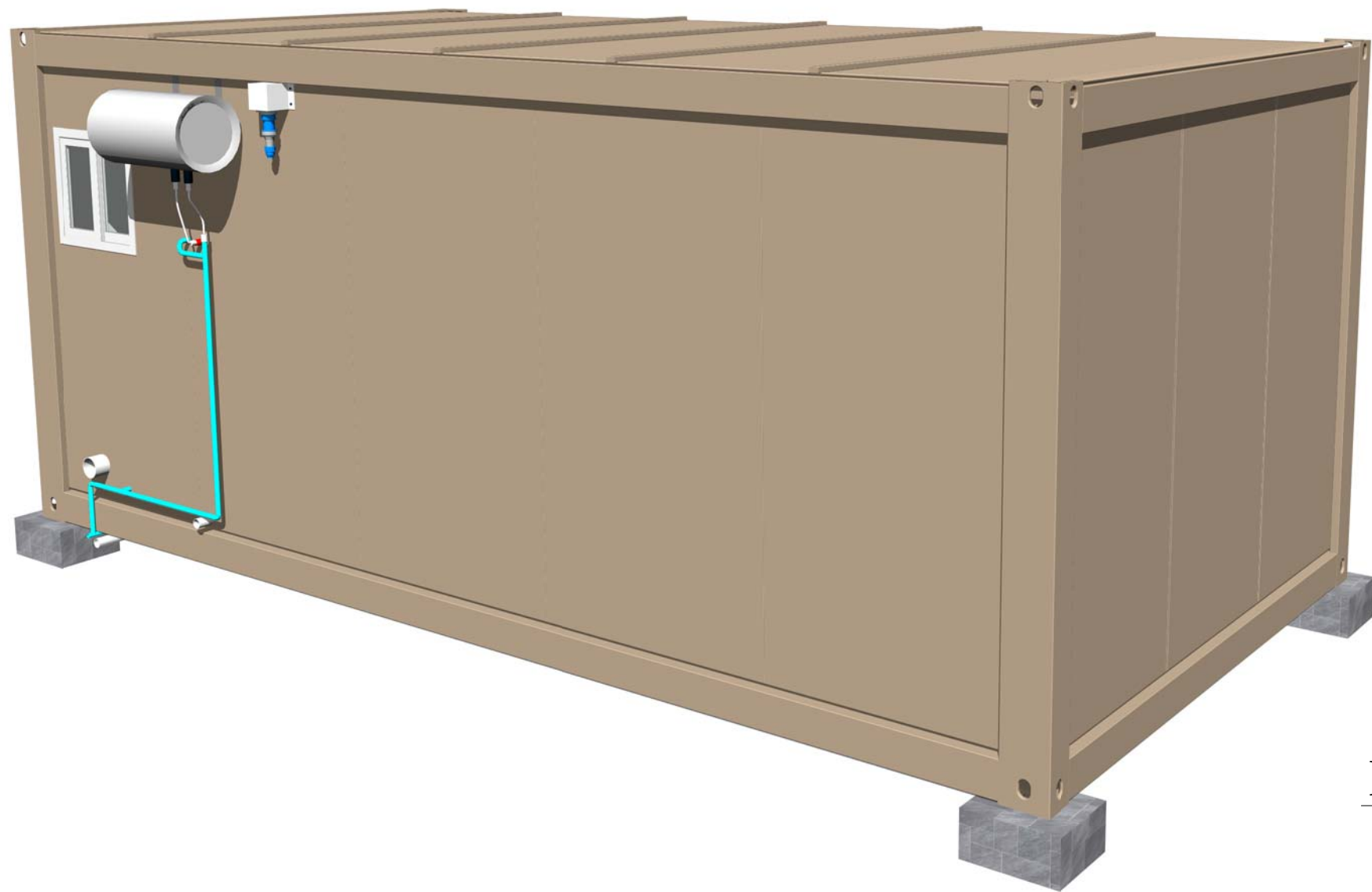
项目名称
 Project Name
卡塔尔-集装箱宿舍

图名
三维视图

| | | | |
|---------------|------------|--------------|------|
| 工程编号 Title | PT220311-1 | 专业 Type | JZ |
| 比例 Scale | | 图号 Fig.No | J0-4 |

未盖技术出图章 本图纸无效
 This drawing is valid only after being stamped and released by the office.

| | | | |
|----|----|----|-----|
| 会签 | 建筑 | 结构 | 给排水 |
| | 电力 | 暖通 | 动力 |



RAL1019

Note: The color is for reference only, the specific color is subject to the order remarks or samples.

Copyright 2016.

本图版权归浙江普天集成房屋有限公司所有，除本工程外本图的任何其它用途和复制，必须获得本公司的书面许可。
THE OWNERSHIP OF THE COPYRIGHT IN THIS DRAWING IS RETAINED BY ZHEJIANG PUTIAN INTEGRATED HOUSING CO.LTD. WRITTEN CONSENT MUST BE OBTAINED BEFORE ANY USE OR REPRODUCTION OF THE DRAWING.

| 版本 Rev. | 修改内容 Description | 日期 Date | 发布人 who send |
|------------|---------------------|------------|-----------------|
|------------|---------------------|------------|-----------------|

PTH

Zhejiang Putian integrated housing Co., Ltd.
Hangzhou Zhongpu Architecture Design (institute) Co., Ltd.

证书等级

证书编号

合作设计单位
Cooperative Designer

| 工序 Process | 签名 Signature | 日期 Date |
|---------------------|-----------------|------------|
| 审定 Authorized By | | |
| 审核 Verified By | | |
| 项目负责人 Process | | |
| 校对 Checked By | | |
| 设计 Designed By | xjj | 03/31/22 |
| 制图 Drawn By | xjj | 03/31/22 |

执业签章
Engineer Signature

出图签章
Engineer Signature

项目名称
Project Name

卡塔尔-集装箱宿舍

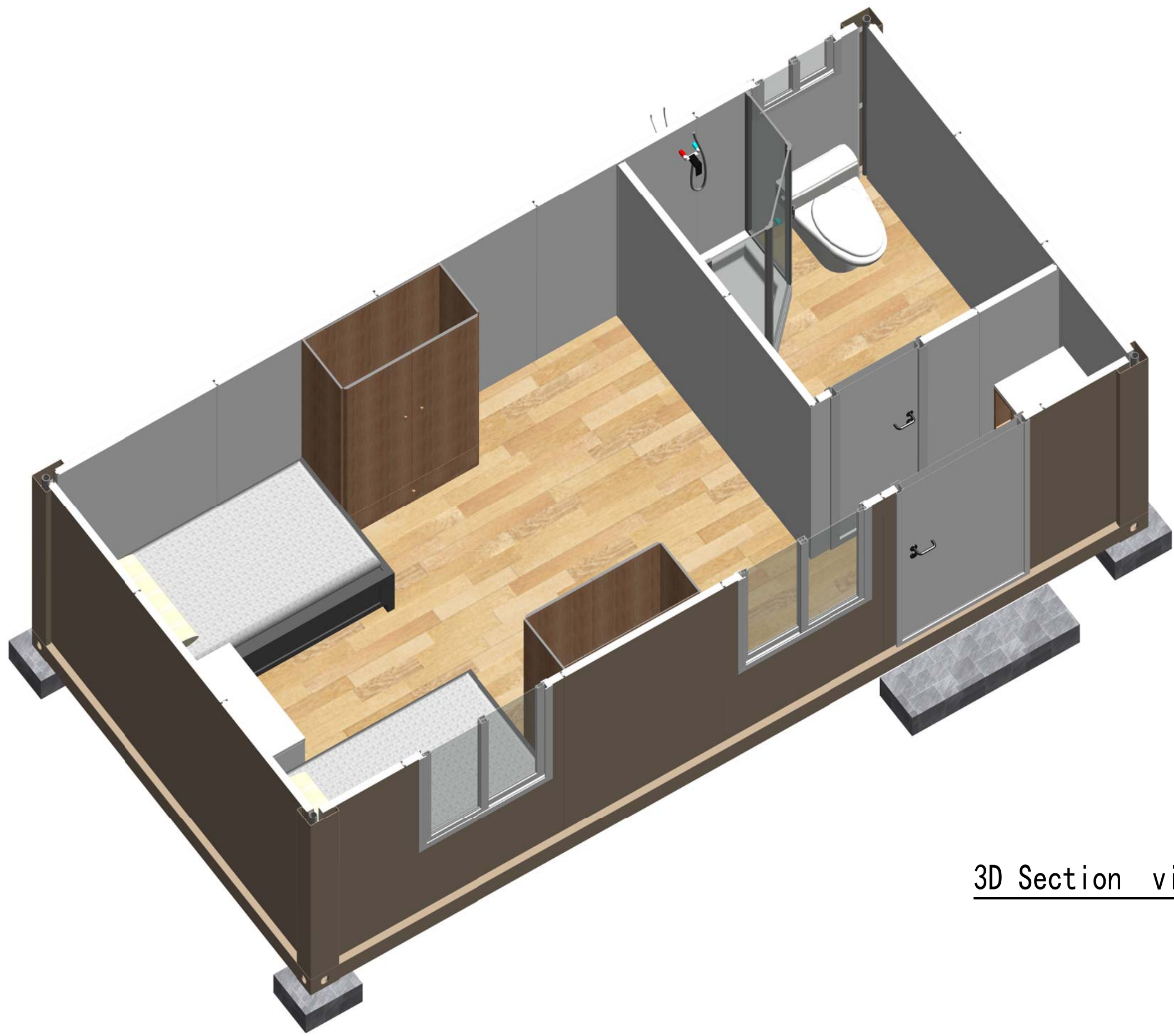
图名

三维视图

| | | | |
|---------------|------------|--------------|------|
| 工程编号 Title | PT220311-1 | 专业 Type | JZ |
| 比例 Scale | | 图号 Fig.No | J0-5 |

未盖技术出图章 本图纸无效
This drawing is valid only after being stamped and

| | | |
|----|----|-----|
| 电力 | 暖通 | 动力 |
| 建筑 | 结构 | 给排水 |
| 会 | 签 | |



3D Section view

Copyright 2016.
 本图版权归浙江普天集成房屋有限公司所有，除本工程外本图的任何其它用途和复制，
 必须获得本公司的书面许可。
 THE OWNERSHIP OF THE COPYRIGHT IN THIS DRAWING IS RETAINED BY
 ZHEJIANG PUTIAN INTEGRATED HOUSING CO.,LTD. WRITTEN CONSENT MUST BE
 OBTAINED BEFORE ANY USE OR REPRODUCTION OF THE DRAWING.

| 版本 Rev. | 修改内容 Description | 日期 Date | 发布人 who send |
|------------|---------------------|------------|-----------------|
|------------|---------------------|------------|-----------------|

PTH
 Zhejiang Putian integrated housing Co., Ltd.
 Hangzhou Zhongpu Architecture Design (institute) Co., Ltd.

证书等级
 证书编号

合作设计单位
 Cooperative Designer

| 工序 Process | 签名 Signature | 日期 Date |
|---------------------|-----------------|------------|
| 审定 Authorized By | | |
| 审核 Verified By | | |
| 项目负责人 Process | | |
| 校对 Checked By | | |
| 设计 Designed By | xj | 03/31/22 |
| 制图 Drawn By | xj | 03/31/22 |

执业签章
 Engineer Signature

出图签章
 Engineer Signature

项目名称
 Project Name
卡塔尔-集装箱宿舍

图名
三维剖视

| | | | |
|---------------|------------|-------------------|------|
| 工程编号 Title | PT220311-1 | 专业 Type | JZ |
| 比例 Scale | | 图号 Drawing No. | J0-6 |

未盖技术出图章 本图纸无效
 This drawing is valid only after being stamped and
 released by the client.

| | | |
|-----|----|----|
| 会签 | 建筑 | 电力 |
| 给排水 | 结构 | 暖通 |
| | | 动力 |

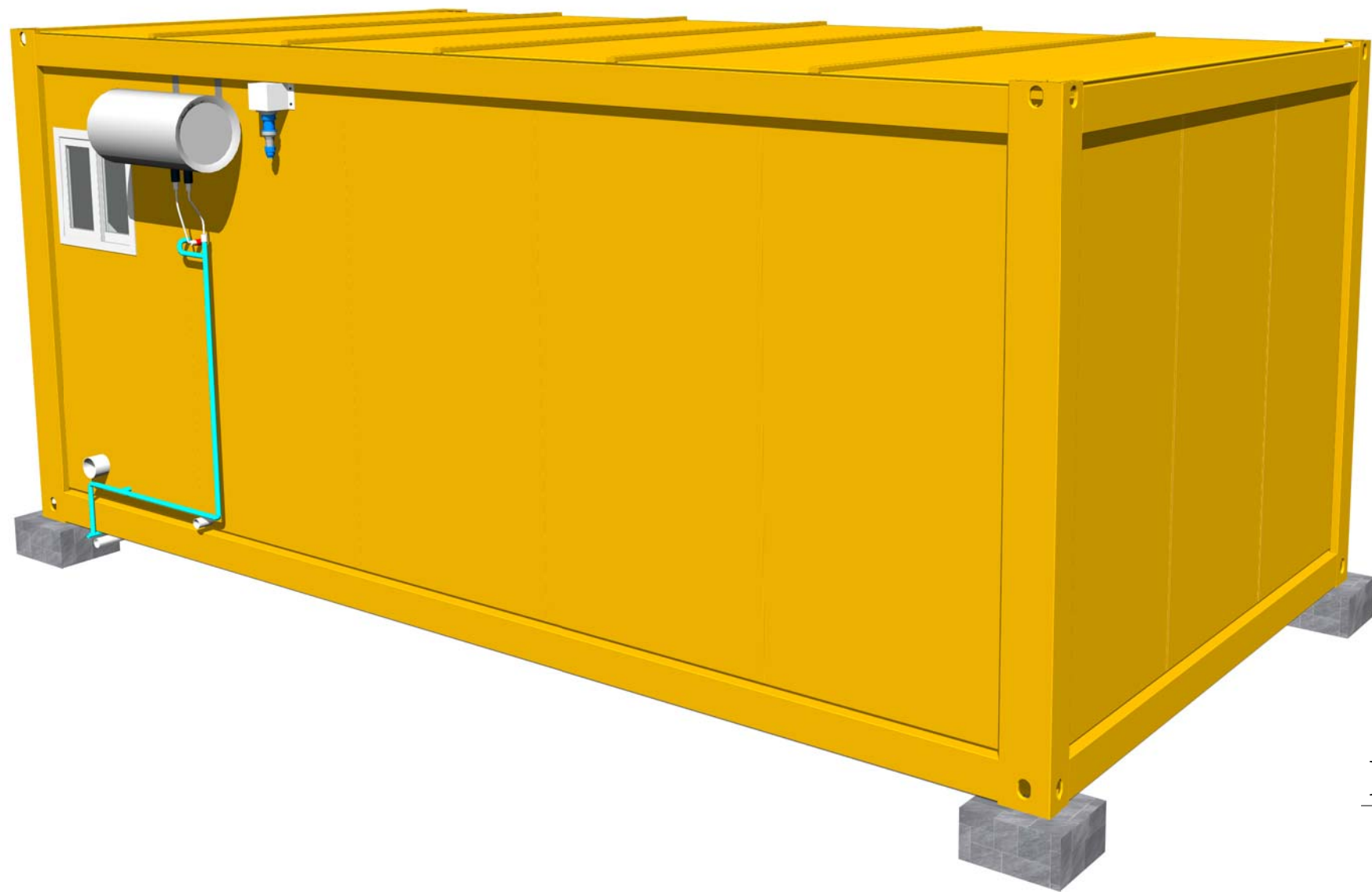


RAL1032

Note: The color is for reference only, the specific color is subject to the order remarks or samples.

| | | | |
|--|---------------------|--------------|-----------------|
| Copyright 2016. | | | |
| 本图版权归浙江普天集成房屋有限公司所有，除本工程外本图的任何其它用途和复制， 必须获得本公司的书面许可。 THE OWNERSHIP OF THE COPYRIGHT IN THIS DRAWING IS RETAINED BY ZHEJIANG PUTIAN INTEGRATED HOUSING CO.,LTD. WRITTEN CONSENT MUST BE OBTAINED BEFORE ANY USE OR REPRODUCTION OF THE DRAWING. | | | |
| 版本 Rev. | 修改内容 Description | 日期 Date | 发布人 who send |
|  | | | |
| Zhejiang Putian integrated housing Co., Ltd. Hangzhou Zhongou Architecture Design (institute) Co., Ltd. | | | |
| 证书等级 | | | |
| 证书编号 | | | |
| 合作设计单位 Cooperative Designer | | | |
| 工序 Process | 签名 Signature | 日期 Date | |
| 审定 Authorized By | | | |
| 审核 Verified By | | | |
| 项目负责人 Process | | | |
| 校对 Checked By | | | |
| 设计 Designed By | xjj | 04/06/22 | |
| 制图 Drawn By | xjj | 04/06/22 | |
| 执业签章 Engineer Signature | | | |
| 出图签章 Engineer Signature | | | |
| 项目名称 Project Name | | | |
| 卡塔尔-集装箱宿舍 | | | |
| 图名 | | | |
| 三维视图 | | | |
| 工程编号 Title | PT220311-1 | 专业 Type | JZ |
| 比例 Scale | | 图号 Fig.No | J0-4 |
| 未盖技术出图章 本图纸无效 This drawing is valid only after being stamped and released by the client. | | | |

| | | |
|-----|----|----|
| 会签 | 建筑 | 电力 |
| 给排水 | 结构 | 暖通 |
| | | 动力 |



RAL1032

Note: The color is for reference only, the specific color is subject to the order remarks or samples.

Copyright 2016.

本图版权归浙江普天集成房屋有限公司所有，除本工程外本图的任何其它用途和复制，必须获得本公司的书面许可。
THE OWNERSHIP OF THE COPYRIGHT IN THIS DRAWING IS RETAINED BY ZHEJIANG PUTIAN INTEGRATED HOUSING CO.,LTD. WRITTEN CONSENT MUST BE OBTAINED BEFORE ANY USE OR REPRODUCTION OF THE DRAWING.

| 版本 Rev. | 修改内容 Description | 日期 Date | 发布人 who send |
|------------|---------------------|------------|-----------------|
|------------|---------------------|------------|-----------------|

PTH

Zhejiang Putian integrated housing Co., Ltd.
Hangzhou Zhongpu Architecture Design (institute) Co., Ltd.

证书等级

证书编号

合作设计单位
Cooperative Designer

| 工序 Process | 签名 Signature | 日期 Date |
|---------------------|-----------------|------------|
| 审定 Authorized By | | |
| 审核 Verified By | | |
| 项目负责人 Process | | |
| 校对人 Checked By | | |
| 设计 Designed By | xjj | 04/06/22 |
| 制图 Drawn By | xjj | 04/06/22 |

执业签章
Engineer Signature

出图签章
Engineer Signature

项目名称
Project Name

卡塔尔-集装箱宿舍

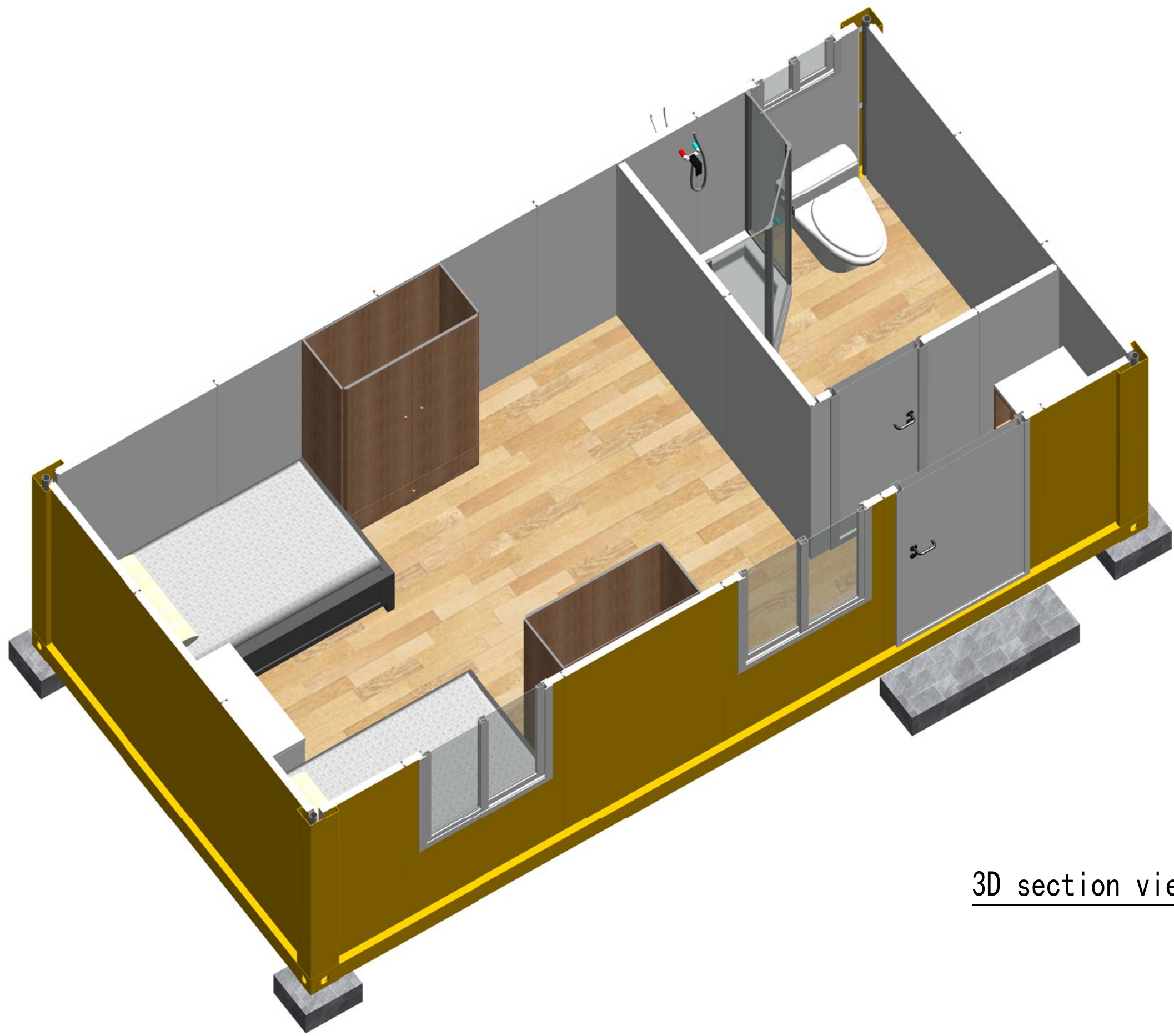
图名

三维视图

| | | | |
|---------------|------------|--------------|------|
| 工程编号 Title | PT220311-1 | 专业 Type | JZ |
| 比例 Scale | | 图号 Fig.No | J0-5 |

未盖技术出图章 本图纸无效
This drawing is valid only after being stamped and released by the office.

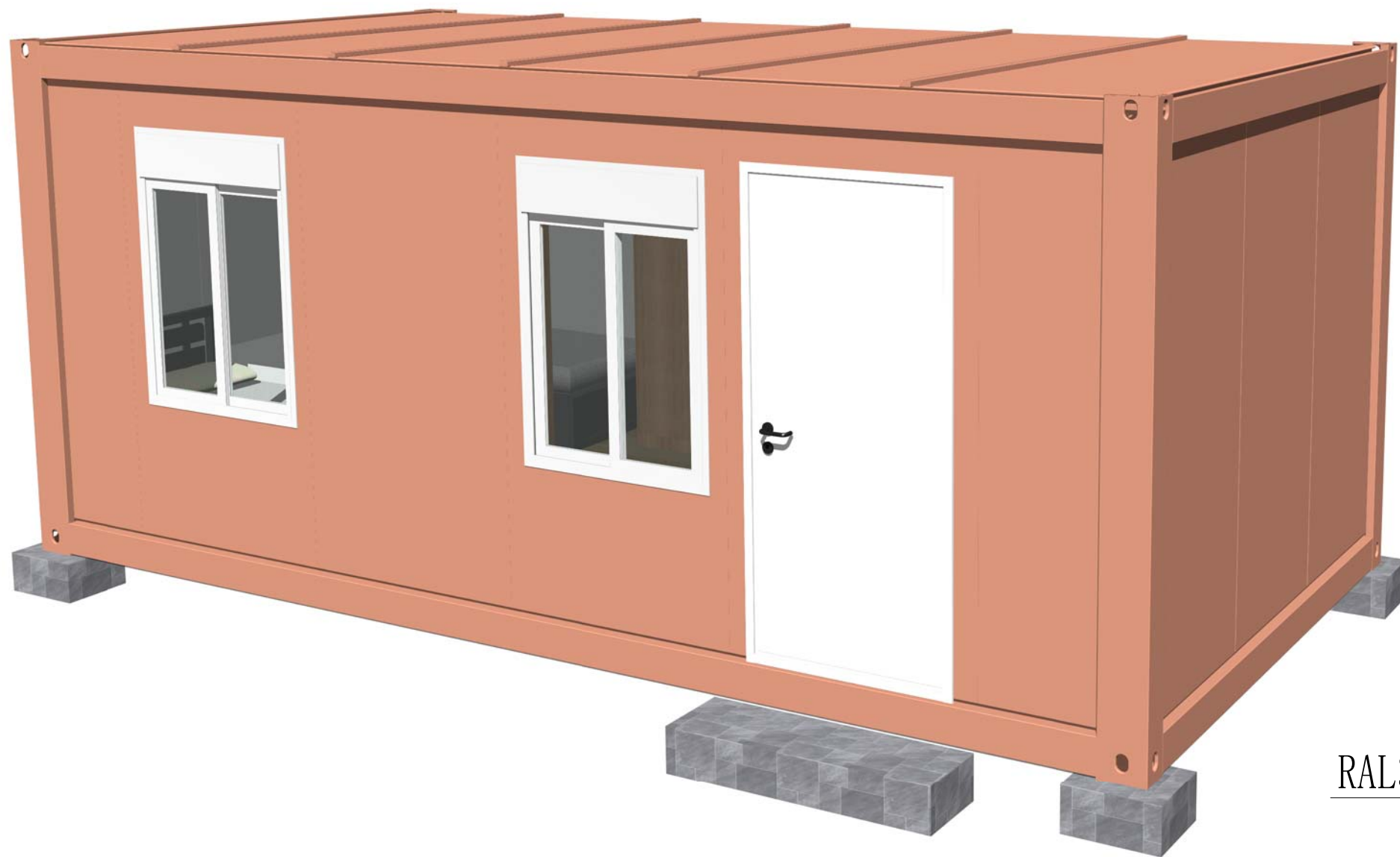
| | | |
|----|----|-----|
| 电力 | 暖通 | 动力 |
| 建筑 | 结构 | 给排水 |
| 会签 | | |



3D section view

| | | | |
|---|---------------------|--------------|-----------------|
| Copyright 2016. | | | |
| <p>本图版权归浙江普天集成房屋有限公司所有，除本工程外本图的任何其它用途和复制，必须获得本公司的书面许可。</p> <p>THE OWNERSHIP OF THE COPYRIGHT IN THIS DRAWING IS RETAINED BY ZHEJIANG PUTIAN INTEGRATED HOUSING CO.,LTD. WRITTEN CONSENT MUST BE OBTAINED BEFORE ANY USE OR REPRODUCTION OF THE DRAWING.</p> | | | |
| 版本 Rev. | 修改内容 Description | 日期 Date | 发布人 who send |
|  | | | |
| <p>Zhejiang Putian integrated housing Co., Ltd. Hangzhou Zhongpu Architecture Design (institute) Co., Ltd.</p> | | | |
| 证书等级 | | | |
| 证书编号 | | | |
| 合作设计单位 Cooperative Designer | | | |
| 工序 Process | 签名 Signature | 日期 Date | |
| 审定 Authorized By | | | |
| 审核 Verified By | | | |
| 项目负责人 Process | | | |
| 校对人 Checked By | | | |
| 设计 Designed By | xj | 04/06/22 | |
| 制图 Drawn By | xj | 04/06/22 | |
| 执业签章 Engineer Signature | | | |
| 出图签章 Engineer Signature | | | |
| 项目名称 Project Name | | | |
| 卡塔尔-集装箱宿舍 | | | |
| 图名 | | | |
| 三维剖视 | | | |
| 工程编号 Title | PT220311-1 | 专业 Type | JZ |
| 比例 Scale | | 图号 Fig.No | J0-6 |
| 未盖技术出图章 本图纸无效 | | | |
| This drawing is valid only after being stamped and released by the client. | | | |

| | | |
|-----|----|----|
| 会签 | 建筑 | 电力 |
| 给排水 | 结构 | 暖通 |
| | | 动力 |

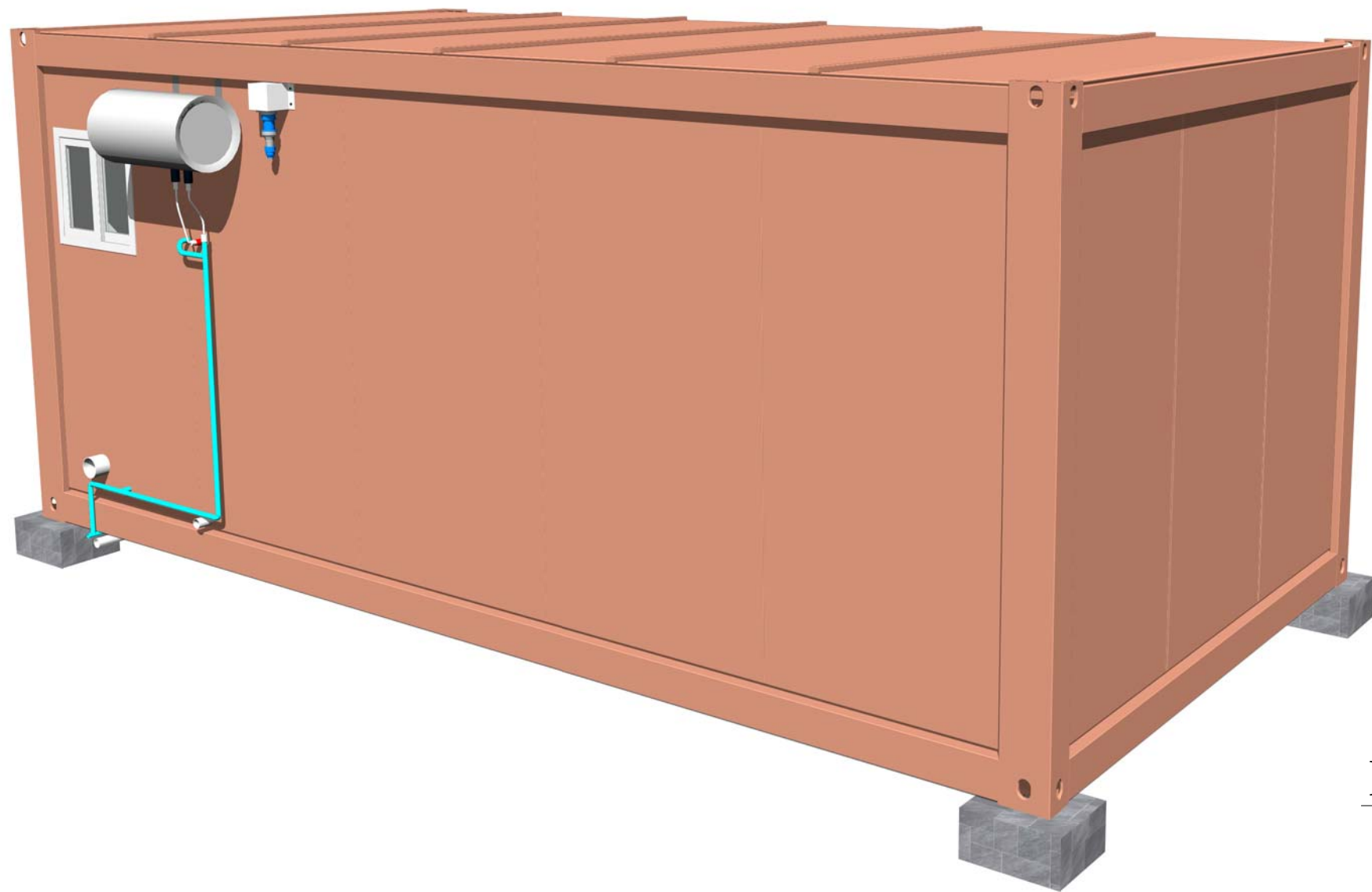


RAL3012

Note: The color is for reference only, the specific color is subject to the order remarks or samples.

| | | | |
|---|---------------------|--------------|-----------------|
| Copyright 2016. 本图版权归浙江普天集成房屋有限公司所有，除本工程外本图的任何其它用途和复制， 必须获得本公司的书面许可。 THE OWNERSHIP OF THE COPYRIGHT IN THIS DRAWING IS RETAINED BY ZHEJIANG PUTIAN INTEGRATED HOUSING CO.,LTD. WRITTEN CONSENT MUST BE OBTAINED BEFORE ANY USE OR REPRODUCTION OF THE DRAWING. | | | |
| 版本 Rev. | 修改内容 Description | 日期 Date | 发布人 who send |
| PTH | | | |
| Zhejiang Putian integrated housing Co., Ltd. Hangzhou Zhonggu Architecture Design (institute) Co., Ltd. | | | |
| 证书等级 | | | |
| 证书编号 | | | |
| 合作设计单位 Cooperative Designer | | | |
| 工序 Process | 签名 Signature | 日期 Date | |
| 审定 Authorized By | | | |
| 审核 Verified By | | | |
| 项目负责人 Process | | | |
| 校对 Checked By | | | |
| 设计 Designed By | xjj | 04/06/22 | |
| 制图 Drawn By | xjj | 04/06/22 | |
| 执业签章 Engineer Signature | | | |
| 出图签章 Engineer Signature | | | |
| 项目名称 Project Name | 卡塔尔-集装箱宿舍 | | |
| 图名 | 三维视图 | | |
| 工程编号 Title | PT220311-1 | 专业 Type | JZ |
| 比例 Scale | | 图号 Dwg No | J0-4 |
| 未盖技术出图章 本图纸无效 This drawing is valid only after being stamped and released by the client. | | | |

| | | | |
|----|----|----|-----|
| 会签 | 建筑 | 结构 | 给排水 |
| | 电力 | 暖通 | 动力 |



RAL3012

Note: The color is for reference only, the specific color is subject to the order remarks or samples.

Copyright 2016.
 本图版权归浙江普天集成房屋有限公司所有，除本工程外对本图的任何其它用途和复制，必须获得本公司的书面许可。
 THE OWNERSHIP OF THE COPYRIGHT IN THIS DRAWING IS RETAINED BY ZHEJIANG PUTIAN INTEGRATED HOUSING CO.,LTD. WRITTEN CONSENT MUST BE OBTAINED BEFORE ANY USE OR REPRODUCTION OF THE DRAWING.

| 版本 Rev. | 修改内容 Description | 日期 Date | 发布人 who send |
|------------|---------------------|------------|-----------------|
|------------|---------------------|------------|-----------------|

PTH
 Zhejiang Putian integrated housing Co., Ltd.
 Hangzhou Zhongpu Architecture Design (institute) Co., Ltd.

证书等级
 证书编号

合作设计单位
 Cooperative Designer

| 工序 Process | 签名 Signature | 日期 Date |
|---------------------|-----------------|------------|
| 审定 Authorized By | | |
| 审核 Verified By | | |
| 项目负责人 Process | | |
| 校对 Checked By | | |
| 设计 Designed By | xjj | 04/06/22 |
| 制图 Drawn By | xjj | 04/06/22 |

执业签章
 Engineer Signature

出图签章
 Engineer Signature

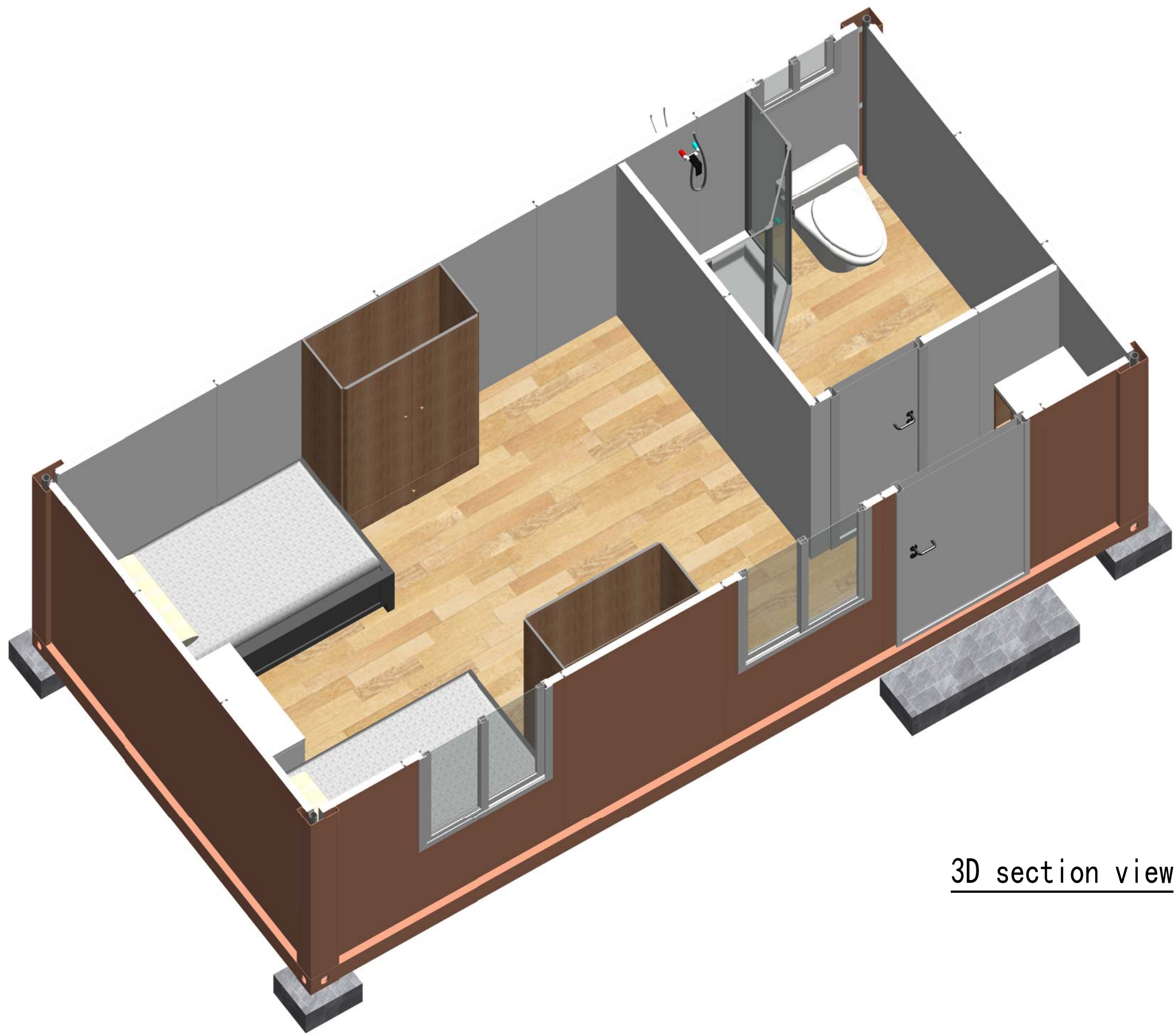
项目名称
 Project Name
卡塔尔-集装箱宿舍

图名
三维视图

| | | | |
|---------------|------------|---------------|------|
| 工程编号 Title | PT220311-1 | 专业 Type | JZ |
| 比例 Scale | | 图号 Dwg No. | J0-5 |

未盖技术出图章 本图纸无效
 This drawing is valid only after being stamped and released by the client.

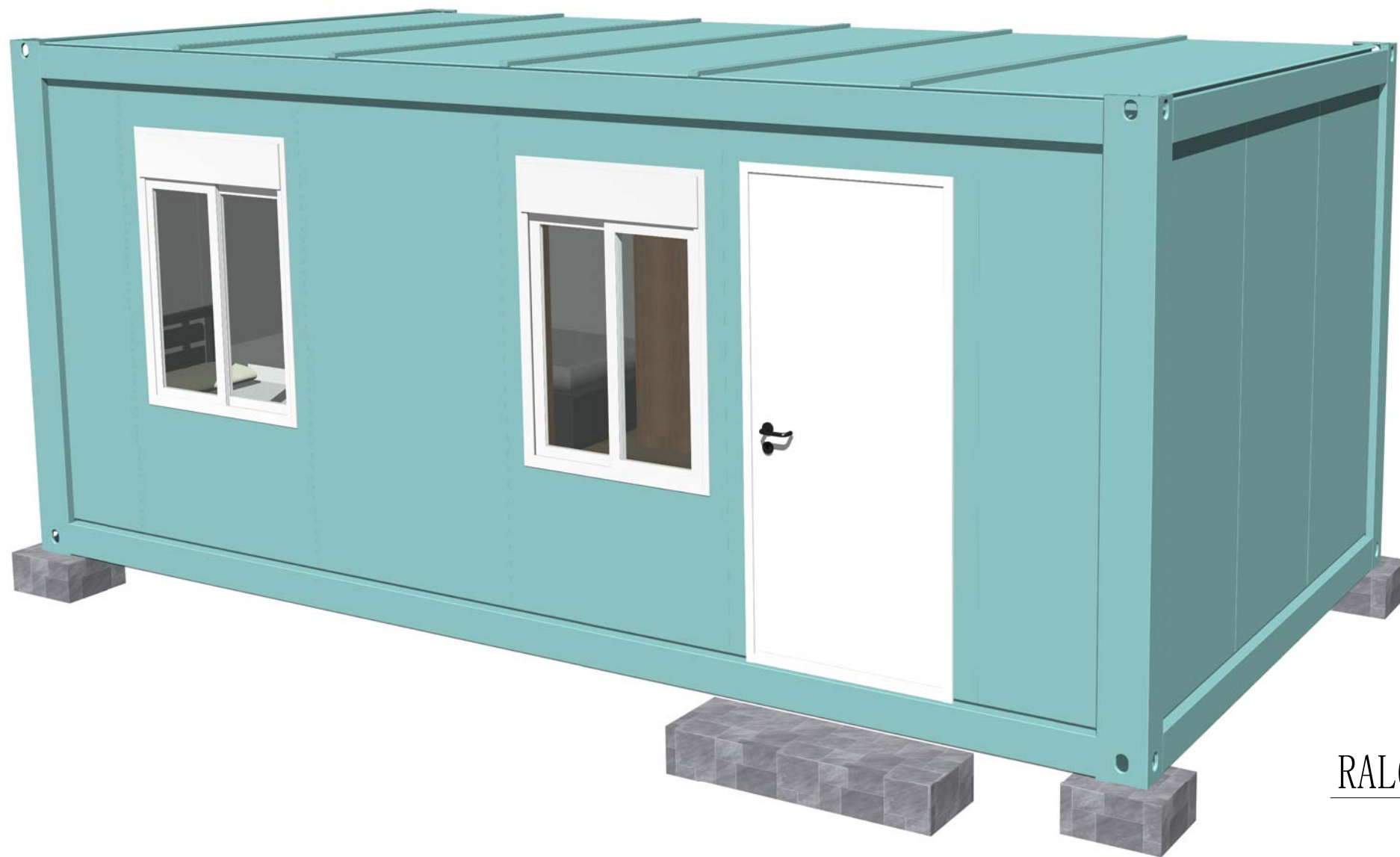
| | | |
|----|----|-----|
| 电力 | 暖通 | 动力 |
| 建筑 | 结构 | 给排水 |
| 会 | 签 | |



3D section view

| | | | |
|---|---------------------|--------------|-----------------|
| Copyright 2016. | | | |
| <p>本图版权归浙江普天集成房屋有限公司所有，除本工程外本图的任何其它用途和复制，必须获得本公司的书面许可。</p> <p>THE OWNERSHIP OF THE COPYRIGHT IN THIS DRAWING IS RETAINED BY ZHEJIANG PUTIAN INTEGRATED HOUSING CO.,LTD. WRITTEN CONSENT MUST BE OBTAINED BEFORE ANY USE OR REPRODUCTION OF THE DRAWING.</p> | | | |
| 版本 Rev. | 修改内容 Description | 日期 Date | 发布人 who send |
|  | | | |
| <p>Zhejiang Putian integrated housing Co., Ltd. Hangzhou Zhongpu Architecture Design (institute) Co., Ltd.</p> | | | |
| 证书等级 | | | |
| 证书编号 | | | |
| 合作设计单位 Cooperative Designer | | | |
| 工序 Process | 签名 Signature | 日期 Date | |
| 审定 Authorized By | | | |
| 审核 Verified By | | | |
| 项目负责人 Process | | | |
| 校对 Checked By | | | |
| 设计 Designed By | xj | 04/06/22 | |
| 制图 Drawn By | xj | 04/06/22 | |
| 执业签章 Engineer Signature | | | |
| 出图签章 Engineer Signature | | | |
| 项目名称 Project Name | | | |
| 卡塔尔-集装箱宿舍 | | | |
| 图名 | | | |
| 三维剖视 | | | |
| 工程编号 Title | PT220311-1 | 专业 Type | JZ |
| 比例 Scale | | 图号 Fig.No | J0-6 |
| 未盖技术出图章 本图纸无效 This drawing is valid only after being stamped and released by the PTH. | | | |

| | | |
|-----|----|----|
| 会签 | 建筑 | 电力 |
| 给排水 | 结构 | 暖通 |
| | | 动力 |



RAL6034

Note: The color is for reference only, the specific color is subject to the order remarks or samples.

Copyright 2016.
 本图版权归浙江普天集成房屋有限公司所有，除本工程外对本图的任何其它用途和复制，必须获得本公司的书面许可。
 THE OWNERSHIP OF THE COPYRIGHT IN THIS DRAWING IS RETAINED BY ZHEJIANG PUTIAN INTEGRATED HOUSING CO.,LTD. WRITTEN CONSENT MUST BE OBTAINED BEFORE ANY USE OR REPRODUCTION OF THE DRAWING.

| 版本 Rev. | 修改内容 Description | 日期 Date | 发布人 who send |
|------------|---------------------|------------|-----------------|
|------------|---------------------|------------|-----------------|

PTH
 Zhejiang Putian integrated housing Co., Ltd.
 Hangzhou Zhonggu Architecture Design (institute) Co., Ltd.

证书等级
 证书编号

合作设计单位
 Cooperative Designer

| 工序 Process | 签名 Signature | 日期 Date |
|---------------------|-----------------|------------|
| 审定 Authorized By | | |
| 审核 Verified By | | |
| 项目负责人 Process | | |
| 校对人 Checked By | | |
| 设计 Designed By | xjj | 04/06/22 |
| 制图 Drawn By | xjj | 04/06/22 |

执业签章
 Engineer Signature

出图签章
 Engineer Signature

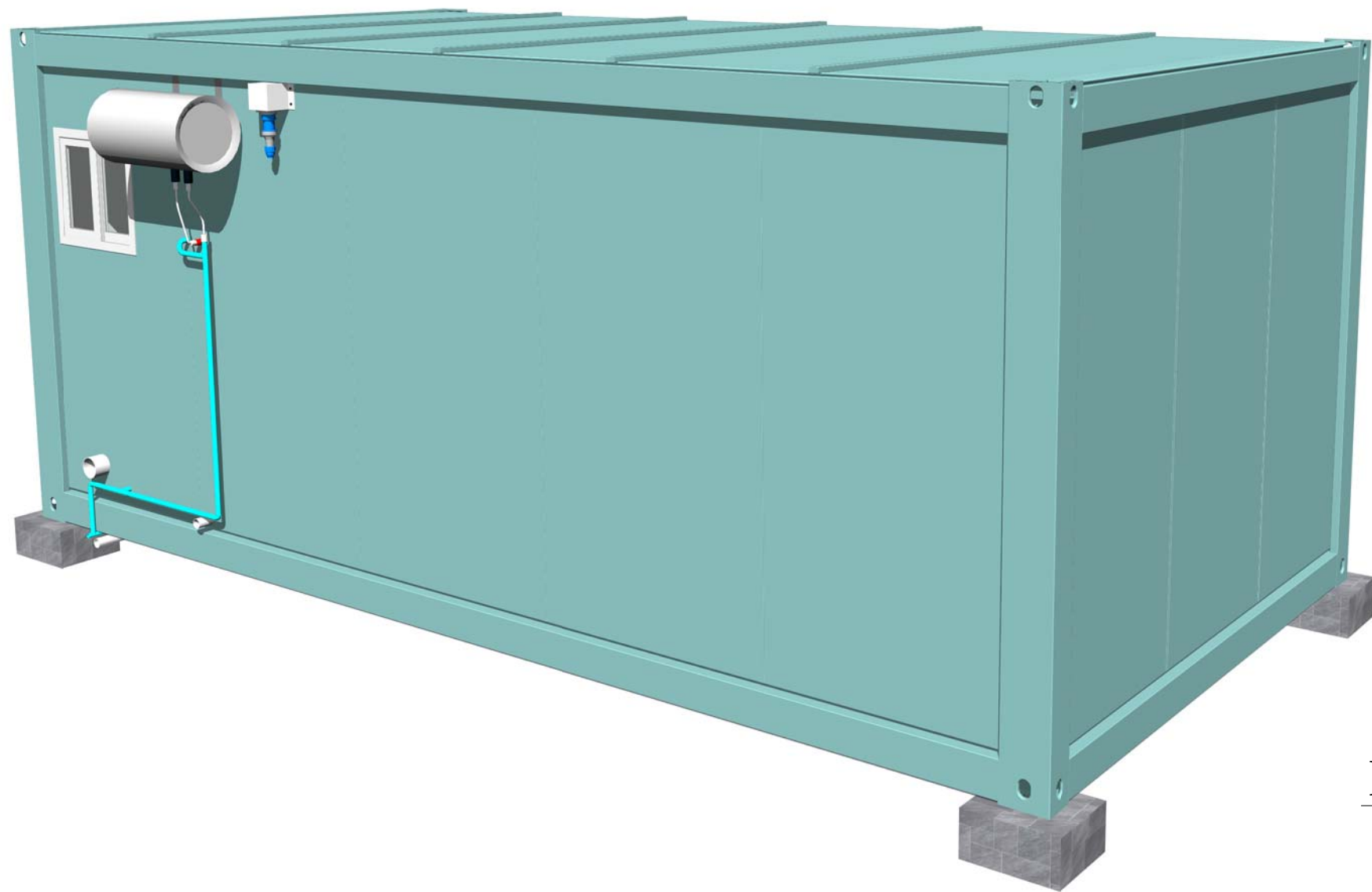
项目名称
 Project Name
卡塔尔-集装箱宿舍

图名
三维视图

| | | | |
|---------------|------------|----------------|------|
| 工程编号 Title | PT220311-1 | 专业 Type | JZ |
| 比例 Scale | | 图号 Dwg. No. | J0-4 |

未盖技术出图章 本图纸无效
 This drawing is valid only after being stamped and released by the office.

| | | |
|-----|----|----|
| 会签 | 建筑 | 电力 |
| 结构 | 暖通 | 动力 |
| 给排水 | | |



RAL6034

Note: The color is for reference only, the specific color is subject to the order remarks or samples.

Copyright 2016.

本图版权归浙江普天集成房屋有限公司所有，除本工程外本图的任何其它用途和复制，必须获得本公司的书面许可。
THE OWNERSHIP OF THE COPYRIGHT IN THIS DRAWING IS RETAINED BY ZHEJIANG PUTIAN INTEGRATED HOUSING CO.,LTD. WRITTEN CONSENT MUST BE OBTAINED BEFORE ANY USE OR REPRODUCTION OF THE DRAWING.

| 版本 Rev. | 修改内容 Description | 日期 Date | 发布人 who send |
|------------|---------------------|------------|-----------------|
|------------|---------------------|------------|-----------------|

PTH

Zhejiang Putian integrated housing Co., Ltd.
Hangzhou Zhongpu Architecture Design (institute) Co., Ltd.

证书等级

证书编号

合作设计单位
Cooperative Designer

| 工序 Process | 签名 Signature | 日期 Date |
|---------------------|-----------------|------------|
| 审定 Authorized By | | |
| 审核 Verified By | | |
| 项目负责人 Process | | |
| 校对 Checked By | | |
| 设计 Designed By | xjj | 04/06/22 |
| 制图 Drawn By | xjj | 04/06/22 |

执业签章
Engineer Signature

出图签章
Engineer Signature

项目名称
Project Name

卡塔尔-集装箱宿舍

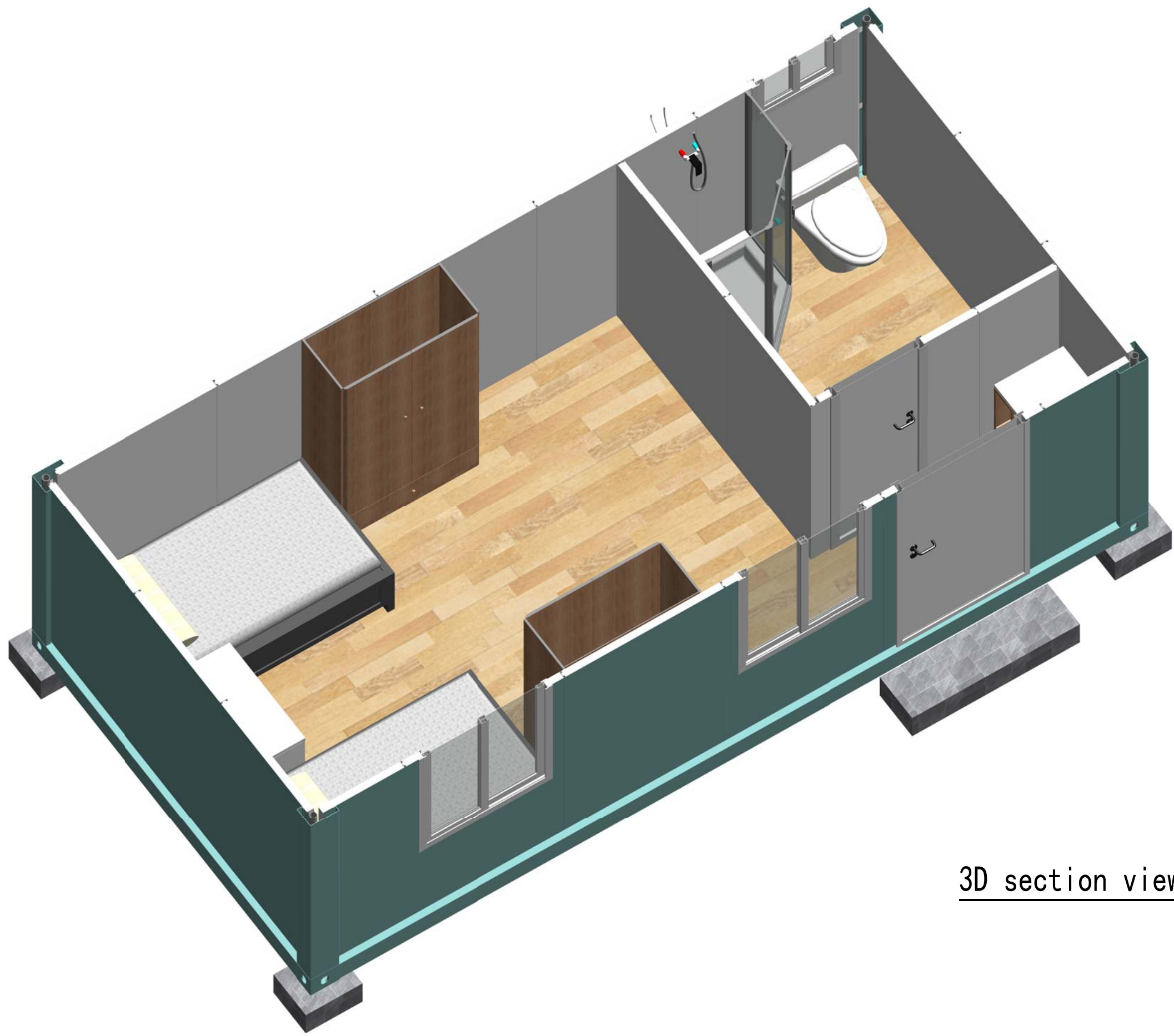
图名

三维视图

| | | | |
|---------------|------------|--------------|------|
| 工程编号 Title | PT220311-1 | 专业 Type | JZ |
| 比例 Scale | | 图号 Fig.No | J0-5 |

未盖技术出图章 本图纸无效
This drawing is valid only after being stamped and released by the client.

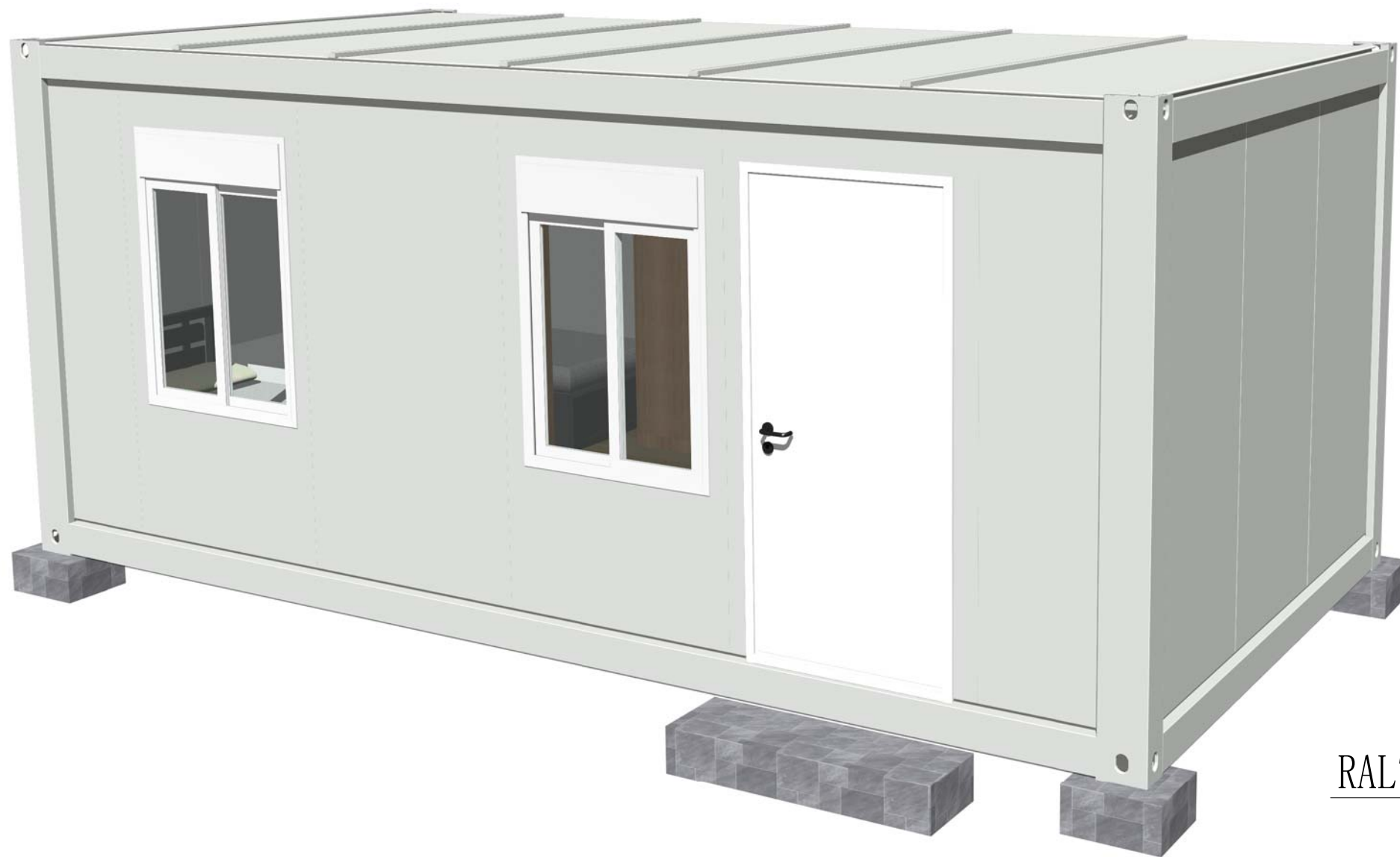
| | | |
|----|----|-----|
| 电力 | 暖通 | 动力 |
| 建筑 | 结构 | 给排水 |
| 会签 | | |



3D section view

| | | | |
|---|---------------------|--------------|-----------------|
| Copyright 2016. | | | |
| <p>本图版权归浙江普天集成房屋有限公司所有，除本工程外本图的任何其它用途和复制，必须获得本公司的书面许可。</p> <p>THE OWNERSHIP OF THE COPYRIGHT IN THIS DRAWING IS RETAINED BY ZHEJIANG PUTIAN INTEGRATED HOUSING CO.,LTD. WRITTEN CONSENT MUST BE OBTAINED BEFORE ANY USE OR REPRODUCTION OF THE DRAWING.</p> | | | |
| 版本 Rev. | 修改内容 Description | 日期 Date | 发布人 who send |
|  | | | |
| Zhejiang Putian integrated housing Co., Ltd. Hangzhou Zhongpu Architecture Design (institute) Co., Ltd. | | | |
| 证书等级 | | | |
| 证书编号 | | | |
| 合作设计单位 Cooperative Designer | | | |
| 工序 Process | 签名 Signature | 日期 Date | |
| 审定 Authorized By | | | |
| 审核 Verified By | | | |
| 项目负责人 Process | | | |
| 校对 Checked By | | | |
| 设计 Designed By | xj | 04/06/22 | |
| 制图 Drawn By | xj | 04/06/22 | |
| 执业签章 Engineer Signature | | | |
| 出图签章 Engineer Signature | | | |
| 项目名称 Project Name | | | |
| 卡塔尔-集装箱宿舍 | | | |
| 图名 | | | |
| 三维剖视 | | | |
| 工程编号 Title | PT220311-1 | 专业 Type | JZ |
| 比例 Scale | | 图号 Fig.No | J0-6 |
| 未盖技术出图章 本图纸无效 This drawing is void only after being stamped and released by the client. | | | |

| | | |
|-----|----|----|
| 会签 | 建筑 | 电力 |
| 给排水 | 结构 | 暖通 |
| | | 动力 |



RAL7035

Note: The color is for reference only, the specific color is subject to the order remarks or samples.

| | | | |
|--|---------------------|----------------|-----------------|
| Copyright 2016. 本图版权归浙江普天集成房屋有限公司所有，除本工程外对本图的任何其它用途和复制， 必须获得本公司的书面许可。 THE OWNERSHIP OF THE COPYRIGHT IN THIS DRAWING IS RETAINED BY ZHEJIANG PUTIAN INTEGRATED HOUSING CO.,LTD. WRITTEN CONSENT MUST BE OBTAINED BEFORE ANY USE OR REPRODUCTION OF THE DRAWING. | | | |
| 版本 Rev. | 修改内容 Description | 日期 Date | 发布人 who send |
| PTH | | | |
| Zhejiang Putian integrated housing Co., Ltd. Hangzhou Zhongpu Architecture Design (institute) Co., Ltd. | | | |
| 证书等级 | | | |
| 证书编号 | | | |
| 合作设计单位 Cooperative Designer | | | |
| 工序 Process | 签名 Signature | 日期 Date | |
| 审定 Authorized By | | | |
| 审核 Verified By | | | |
| 项目负责人 Process | | | |
| 校对人 Checked By | | | |
| 设计 Designed By | xjj | 04/06/22 | |
| 制图 Drawn By | xjj | 04/06/22 | |
| 执业签章 Engineer Signature | | | |
| 出图签章 Engineer Signature | | | |
| 项目名称 Project Name | | | |
| 卡塔尔-集装箱宿舍 | | | |
| 图名 | | | |
| 三维视图 | | | |
| 工程编号 Title | PT220311-1 | 专业 Type | JZ |
| 比例 Scale | | 图号 Dwg. No. | J0-4 |
| 未盖技术出图章 本图纸无效 This drawing is valid only after being stamped and released by the client. | | | |

| | | |
|-----|----|----|
| 会签 | 建筑 | 电力 |
| 给排水 | 结构 | 暖通 |
| | | 动力 |



RAL7035

Note: The color is for reference only, the specific color is subject to the order remarks or samples.

Copyright 2016.

本图版权归浙江普天集成房屋有限公司所有，除本工程外对本图的任何其它用途和复制，必须获得本公司的书面许可。
THE OWNERSHIP OF THE COPYRIGHT IN THIS DRAWING IS RETAINED BY ZHEJIANG PUTIAN INTEGRATED HOUSING CO.,LTD. WRITTEN CONSENT MUST BE OBTAINED BEFORE ANY USE OR REPRODUCTION OF THE DRAWING.

| 版本 Rev. | 修改内容 Description | 日期 Date | 发布人 who send |
|------------|---------------------|------------|-----------------|
|------------|---------------------|------------|-----------------|

PTH

Zhejiang Putian integrated housing Co., Ltd.
Hangzhou Zhongpu Architecture Design (institute) Co., Ltd.

证书等级

证书编号

合作设计单位
Cooperative Designer

| 工序 Process | 签名 Signature | 日期 Date |
|---------------------|-----------------|------------|
| 审定 Authorized By | | |
| 审核 Verified By | | |
| 项目负责人 Process | | |
| 校对人 Checked By | | |
| 设计 Designed By | xjj | 04/06/22 |
| 制图 Drawn By | xjj | 04/06/22 |

执业签章
Engineer Signature

出图签章
Engineer Signature

项目名称
Project Name

卡塔尔-集装箱宿舍

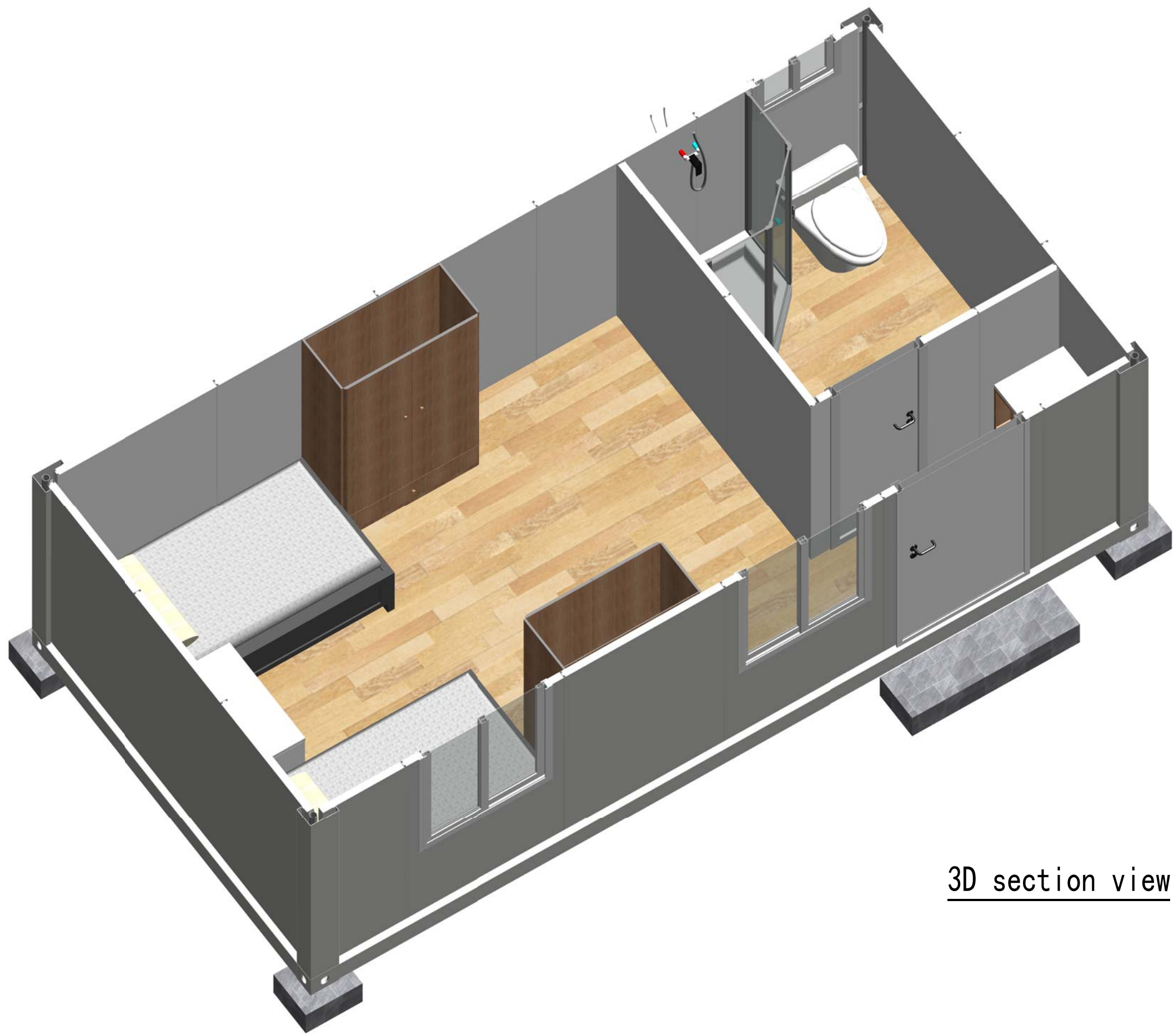
图名

三维视图

| | | | |
|---------------|------------|---------------|------|
| 工程编号 Title | PT220311-1 | 专业 Type | JZ |
| 比例 Scale | | 图号 Dwg No. | J0-5 |

未盖技术出图章 本图纸无效
This drawing is valid only after being stamped and

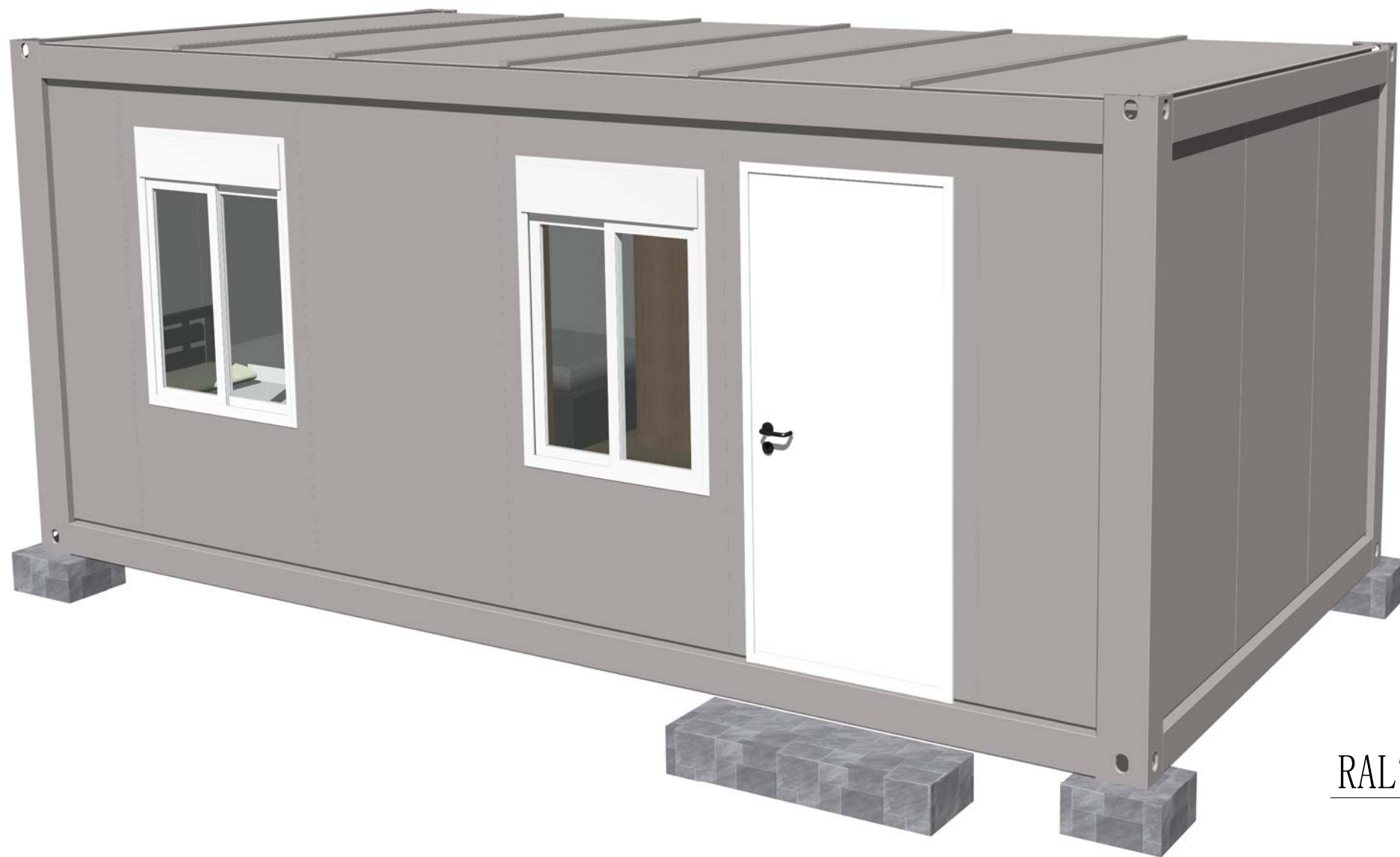
| | | |
|----|----|-----|
| 电力 | 暖通 | 动力 |
| 建筑 | 结构 | 给排水 |
| 会签 | | |



3D section view

| | | | |
|---|---------------------|--------------|-----------------|
| Copyright 2016. | | | |
| <p>本图版权归浙江普天集成房屋有限公司所有，除本工程外本图的任何其它用途和复制，必须获得本公司的书面许可。 THE OWNERSHIP OF THE COPYRIGHT IN THIS DRAWING IS RETAINED BY ZHEJIANG PUTIAN INTEGRATED HOUSING CO.,LTD. WRITTEN CONSENT MUST BE OBTAINED BEFORE ANY USE OR REPRODUCTION OF THE DRAWING.</p> | | | |
| 版本 Rev. | 修改内容 Description | 日期 Date | 发布人 who send |
|  | | | |
| Zhejiang Putian integrated housing Co., Ltd. Hangzhou Zhongpu Architecture Design (institute) Co., Ltd. | | | |
| 证书等级 | | | |
| 证书编号 | | | |
| 合作设计单位 Cooperative Designer | | | |
| 工序 Process | 签名 Signature | 日期 Date | |
| 审定 Authorized By | | | |
| 审核 Verified By | | | |
| 项目负责人 Process | | | |
| 校对人 Checked By | | | |
| 设计 Designed By | xj | 04/06/22 | |
| 制图 Drawn By | xj | 04/06/22 | |
| 执业签章 Engineer Signature | | | |
| 出图签章 Engineer Signature | | | |
| 项目名称 Project Name | | | |
| 卡塔尔-集装箱宿舍 | | | |
| 图名 | | | |
| 三维剖视 | | | |
| 工程编号 Title | PT220311-1 | 专业 Type | JZ |
| 比例 Scale | | 图号 Fig.No | J0-6 |
| 未盖技术出图章 本图纸无效 This drawing is valid only after being stamped and released by the client. | | | |

| | | | |
|----|----|----|-----|
| 会签 | 建筑 | 结构 | 给排水 |
| | 电力 | 暖通 | 动力 |



RAL7036

Note: The color is for reference only, the specific color is subject to the order remarks or samples.

Copyright 2016.
 本图版权归浙江普天集成房屋有限公司所有，除本工程外对本图的任何其它用途和复制，必须获得本公司的书面许可。
 THE OWNERSHIP OF THE COPYRIGHT IN THIS DRAWING IS RETAINED BY ZHEJIANG PUTIAN INTEGRATED HOUSING CO.,LTD. WRITTEN CONSENT MUST BE OBTAINED BEFORE ANY USE OR REPRODUCTION OF THE DRAWING.

| 版本 Rev. | 修改内容 Description | 日期 Date | 发布人 who send |
|------------|---------------------|------------|-----------------|
|------------|---------------------|------------|-----------------|

PTH
 Zhejiang Putian integrated housing Co., Ltd.
 Hangzhou Zhongpu Architecture Design (institute) Co., Ltd.

| | |
|--------------------------------|--|
| 证书等级 | |
| 证书编号 | |
| 合作设计单位 Cooperative Designer | |

| 工序 Process | 签名 Signature | 日期 Date |
|---------------------|-----------------|------------|
| 审定 Authorized By | | |
| 审核 Verified By | | |
| 项目负责人 Process | | |
| 校对人 Checked By | | |
| 设计 Designed By | xjj | 04/06/22 |
| 制图 Drawn By | xjj | 04/06/22 |

执业签章
Engineer Signature

出图签章
Engineer Signature

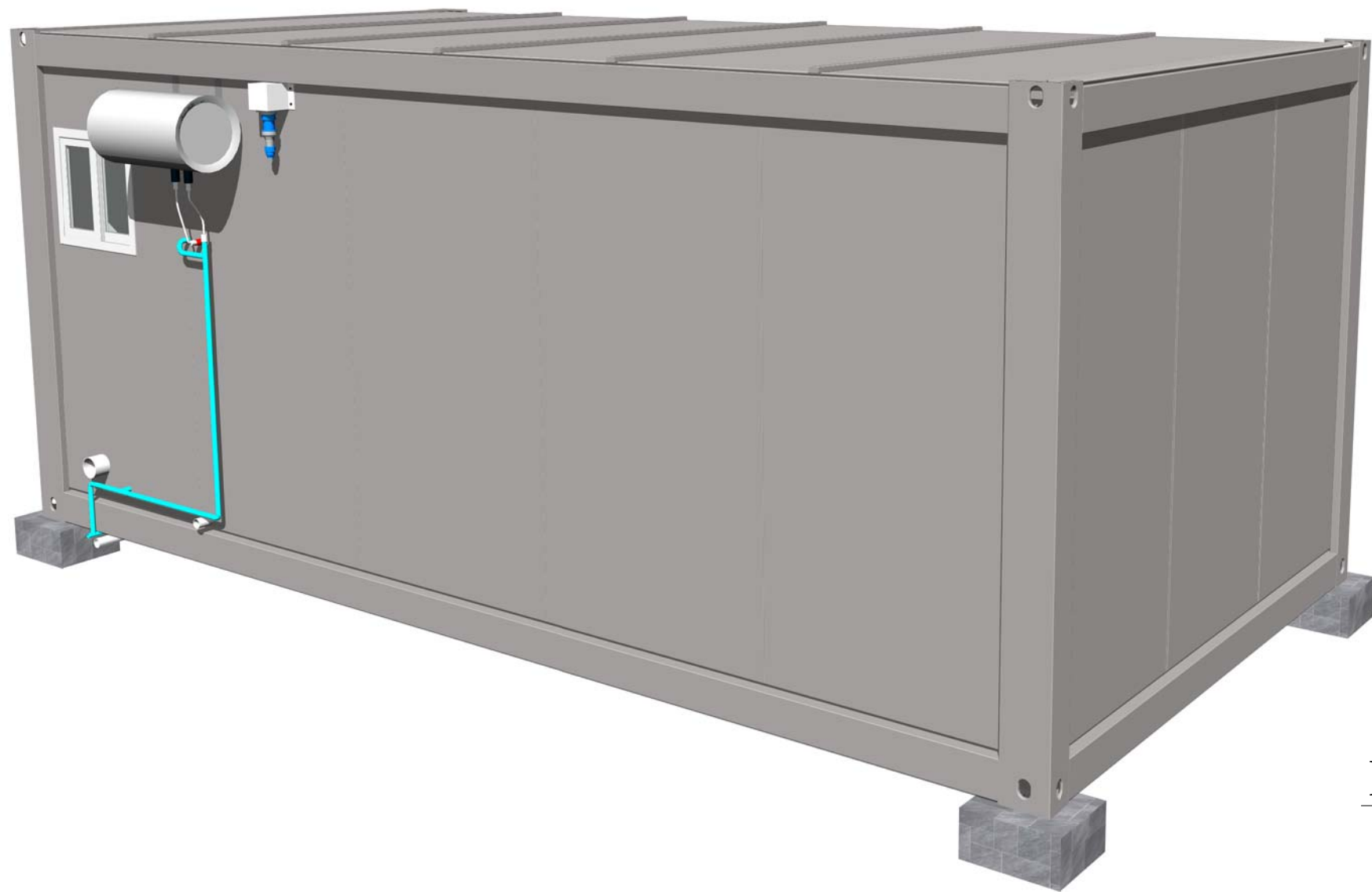
项目名称
Project Name
卡塔尔-集装箱宿舍

图名
Title
三维视图

| | | | |
|---------------|------------|--------------|------|
| 工程编号 Title | PT220311-1 | 专业 Type | JZ |
| 比例 Scale | | 图号 Fig.No | J0-4 |

未盖技术出图章 本图纸无效
 This drawing is valid only after being stamped and released by the client.

| | | |
|----|----|-----|
| 电力 | 暖通 | 动力 |
| 建筑 | 结构 | 给排水 |
| 会签 | | |



RAL7036

Note: The color is for reference only, the specific color is subject to the order remarks or samples.

Copyright 2016.

本图版权归浙江普天集成房屋有限公司所有，除本工程外本图的任何其它用途和复制，必须获得本公司的书面许可。
THE OWNERSHIP OF THE COPYRIGHT IN THIS DRAWING IS RETAINED BY ZHEJIANG PUTIAN INTEGRATED HOUSING CO.LTD. WRITTEN CONSENT MUST BE OBTAINED BEFORE ANY USE OR REPRODUCTION OF THE DRAWING.

| 版本 Rev. | 修改内容 Description | 日期 Date | 发布人 who send |
|------------|---------------------|------------|-----------------|
|------------|---------------------|------------|-----------------|

PTH

Zhejiang Putian integrated housing Co., Ltd.
Hangzhou Zhongpu Architecture Design (institute) Co., Ltd.

证书等级

证书编号

合作设计单位
Cooperative Designer

| 工序 Process | 签名 Signature | 日期 Date |
|---------------------|-----------------|------------|
| 审定 Authorized By | | |
| 审核 Verified By | | |
| 项目负责人 Process | | |
| 校对 Checked By | | |
| 设计 Designed By | xjj | 04/06/22 |
| 制图 Drawn By | xjj | 04/06/22 |

执业签章
Engineer Signature

出图签章
Engineer Signature

项目名称
Project Name

卡塔尔-集装箱宿舍

图名

三维视图

| | | | |
|---------------|------------|--------------|------|
| 工程编号 Title | PT220311-1 | 专业 Type | JZ |
| 比例 Scale | | 图号 Fig.No | J0-5 |

未盖技术出图章 本图纸无效

This drawing is valid only after being stamped and released by the client.

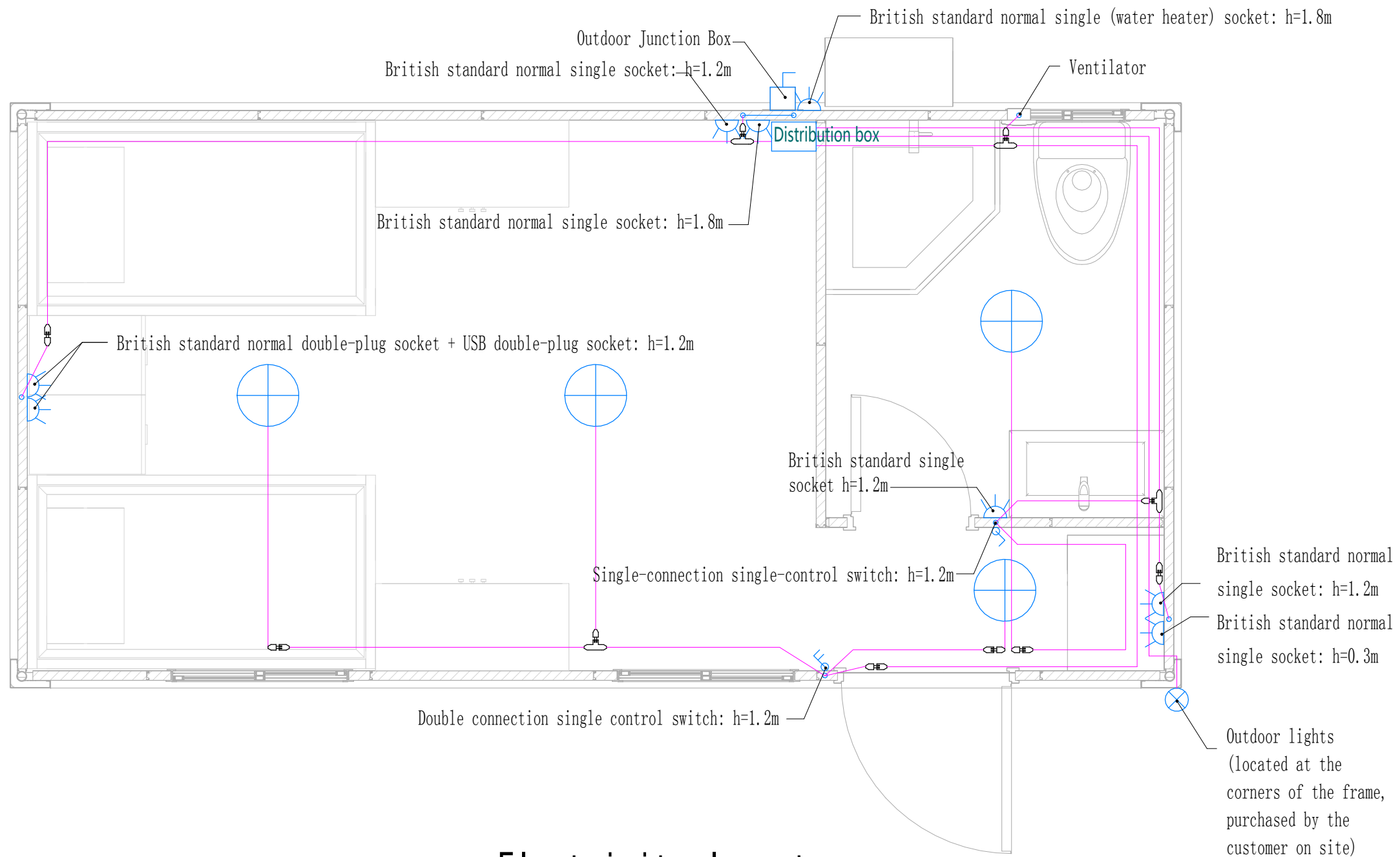
| | | |
|----|----|-----|
| 电力 | 暖通 | 动力 |
| 建筑 | 结构 | 给排水 |
| 会签 | | |



3D section view

| | | | |
|--|---------------------|--------------|-----------------|
| Copyright 2016. | | | |
| <p>本图版权归浙江普天集成房屋有限公司所有，除本工程外对本图的任何其它用途和复制，必须获得本公司的书面许可。</p> <p>THE OWNERSHIP OF THE COPYRIGHT IN THIS DRAWING IS RETAINED BY ZHEJIANG PUTIAN INTEGRATED HOUSING CO.,LTD. WRITTEN CONSENT MUST BE OBTAINED BEFORE ANY USE OR REPRODUCTION OF THE DRAWING.</p> | | | |
| 版本 Rev. | 修改内容 Description | 日期 Date | 发布人 who send |
|  | | | |
| <p>Zhejiang Putian integrated housing Co., Ltd. Hangzhou Zhongpu Architecture Design (institute) Co., Ltd.</p> | | | |
| 证书等级 | | | |
| 证书编号 | | | |
| 合作设计单位 Cooperative Designer | | | |
| 工序 Process | 签名 Signature | 日期 Date | |
| 审定 Authorized By | | | |
| 审核 Verified By | | | |
| 项目负责人 Process | | | |
| 校对人 Checked By | | | |
| 设计 Designed By | xj | 04/06/22 | |
| 制图 Drawn By | xj | 04/06/22 | |
| 执业签章 Engineer Signature | | | |
| 出图签章 Engineer Signature | | | |
| 项目名称 Project Name | | | |
| 卡塔尔-集装箱宿舍 | | | |
| 图名 | | | |
| 三维剖视 | | | |
| 工程编号 Title | PT220311-1 | 专业 Type | JZ |
| 比例 Scale | | 图号 Fig.No | J0-6 |
| 未盖技术出图章 本图纸无效 This drawing is valid only after being stamped and released by the client. | | | |

| | | |
|----|----|-----|
| 电力 | 暖通 | 动力 |
| 建筑 | 结构 | 给排水 |
| 会 | 签 | |



Electricity layout

Copyright 2016.

本图版权归浙江普天集成房屋有限公司所有，除本工程外对本图的任何其它用途和复制，必须获得本公司的书面许可。
THE OWNERSHIP OF THE COPYRIGHT IN THIS DRAWING IS RETAINED BY ZHEJIANG PUTIAN INTEGRATED HOUSING CO.,LTD. WRITTEN CONSENT MUST BE OBTAINED BEFORE ANY USE OR REPRODUCTION OF THE DRAWING.

| 版本 Rev. | 修改内容 Description | 日期 Date | 发布人 who send |
|------------|---------------------|------------|-----------------|
|------------|---------------------|------------|-----------------|

PTH

Zhejiang Putian integrated housing Co., Ltd.
Hangzhou Zhongpu Architecture Design (institute) Co., Ltd.

证书等级

证书编号

合作设计单位
Cooperative Designer

| 工序 Process | 签名 Signature | 日期 Date |
|---------------------|-----------------|------------|
| 审定 Authorized By | | |
| 审核 Verified By | | |
| 项目负责人 Process | | |
| 校对人 Checked By | | |
| 设计 Designed By | xj | 04/11/22 |
| 制图 Drawn By | xj | 04/11/22 |

工 序

审定

审核

项目负责人

校对人

设计

制图

设计 By

制图 By

设计 By

制图 By

设计 By

制图 By

设计 By

制图 By

设计 By

制图 By

设计 By

制图 By

设计 By

制图 By

项目名称
Project Name

卡塔尔-集装箱宿舍

图名

电力布置图

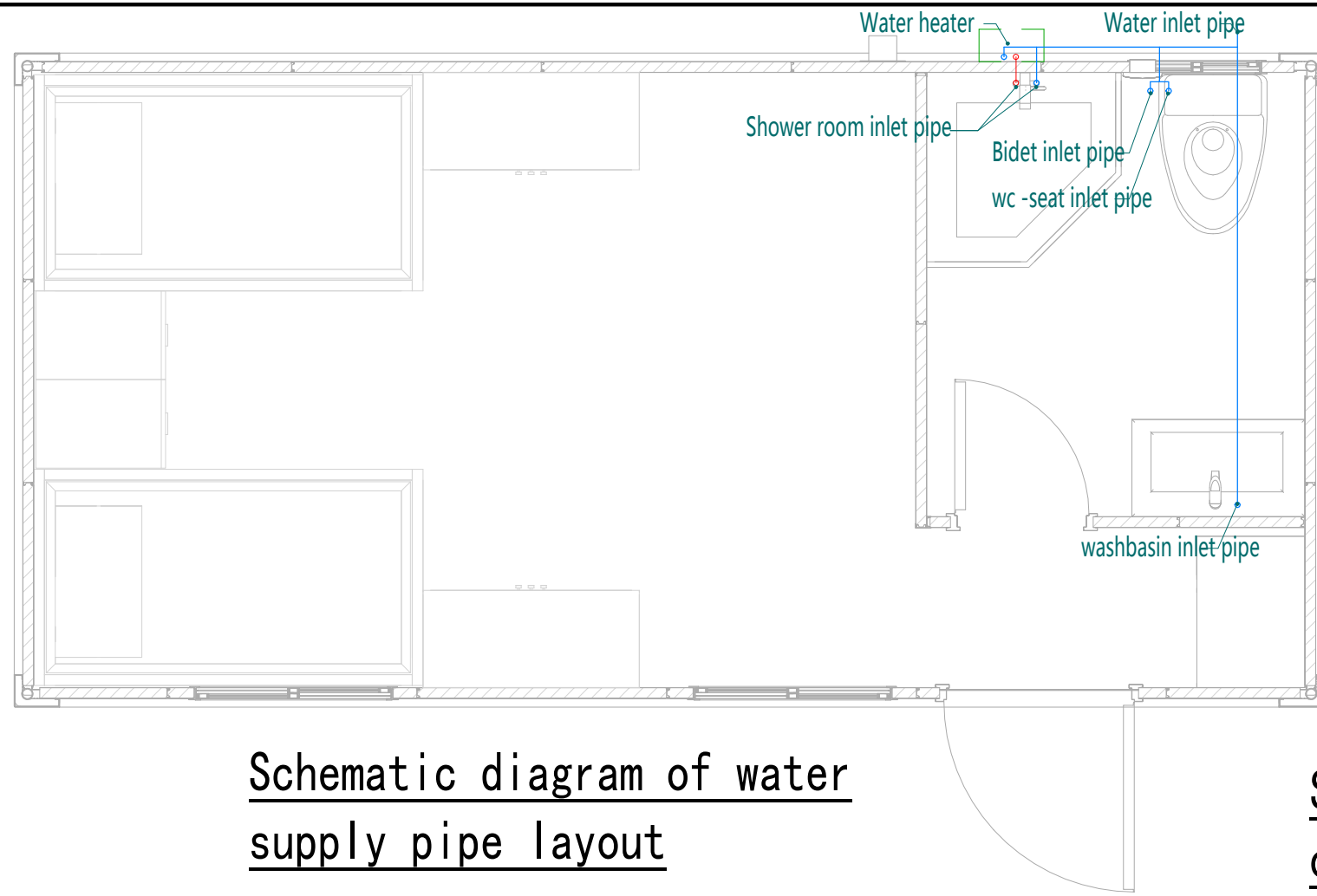
工程编号 PT220311-1 专业 JZ

比例 图号 J0-7

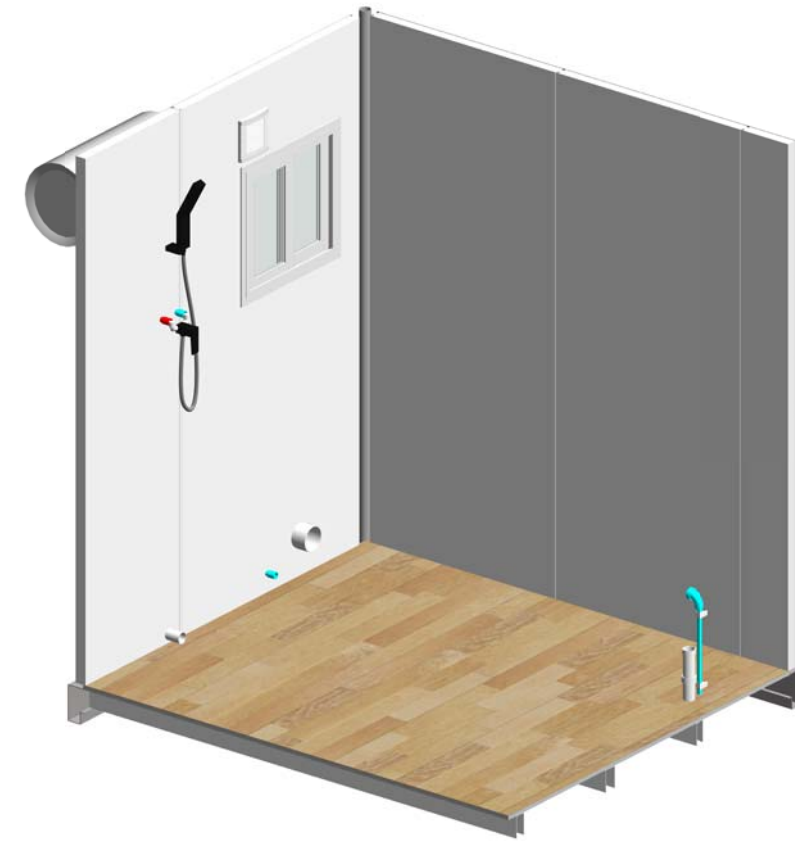
未盖技术出图章 本图纸无效

This drawing is valid only after being stamped and

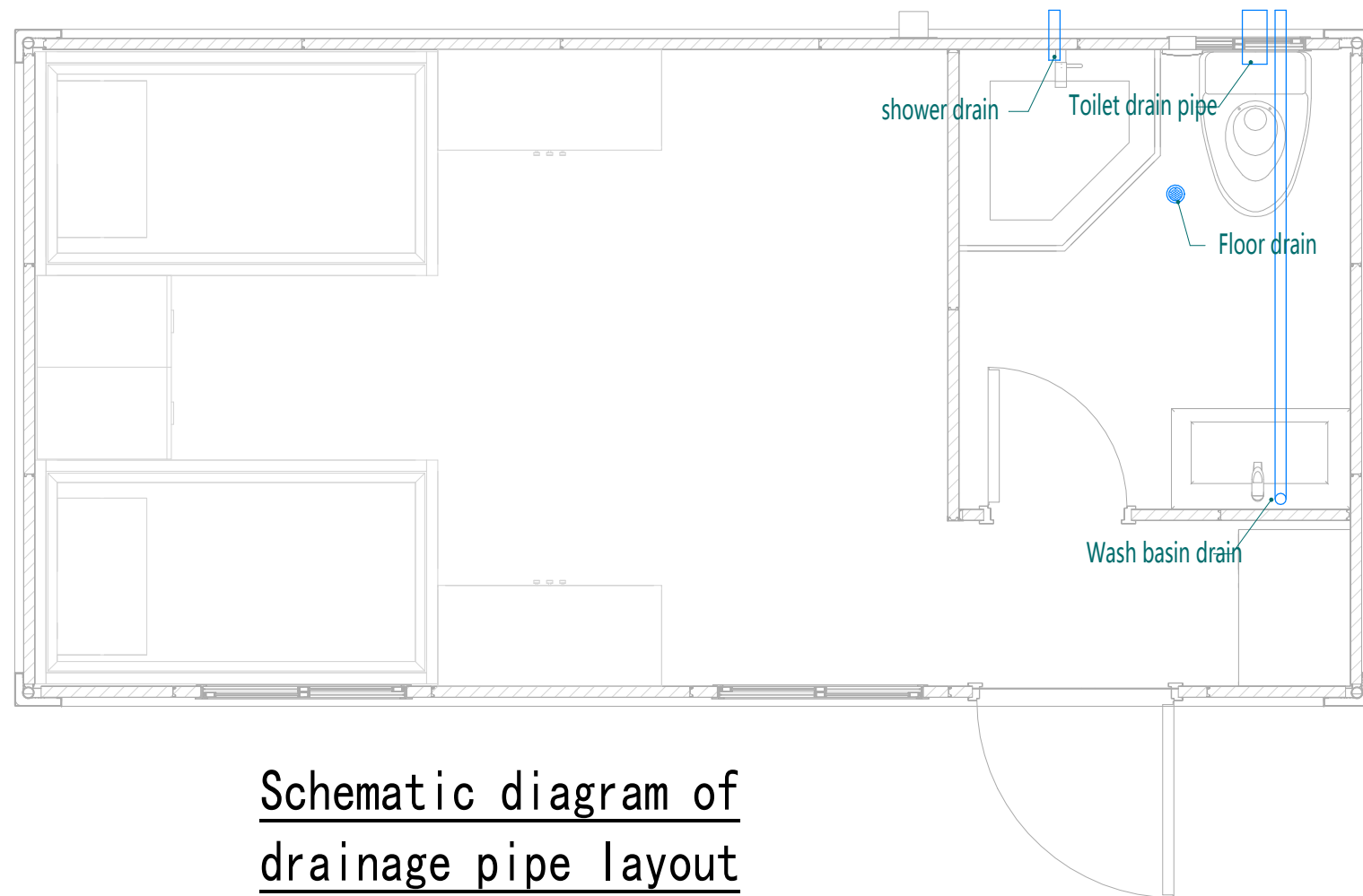
| | | |
|----|----|-----|
| 电力 | 暖通 | 动力 |
| 建筑 | 结构 | 给排水 |
| 会 | 签 | |



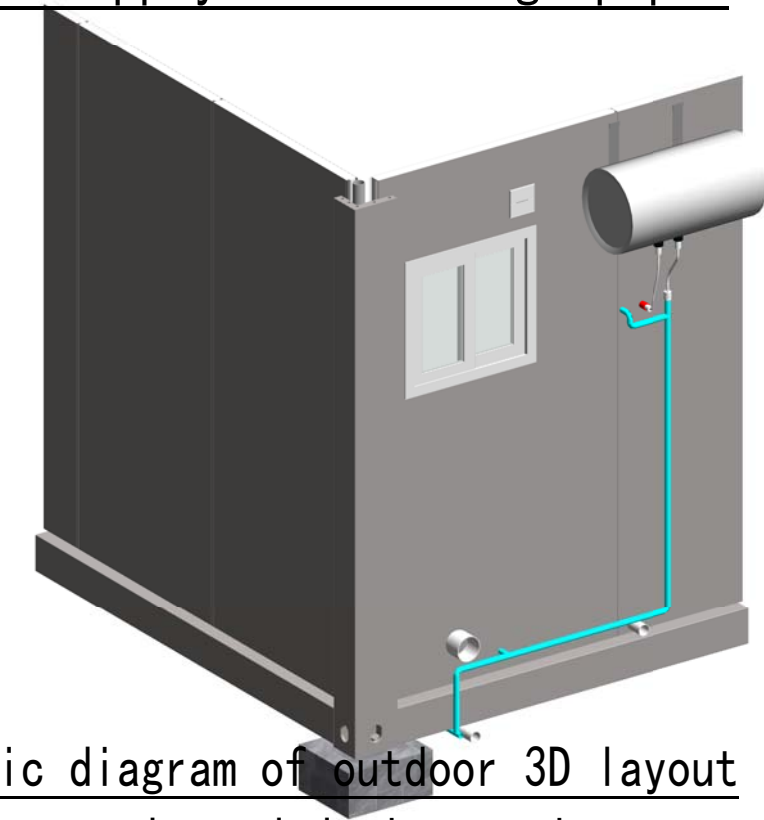
Schematic diagram of water supply pipe layout



Schematic diagram of indoor 3D layout of water supply and drainage pipes



Schematic diagram of drainage pipe layout



Schematic diagram of outdoor 3D layout of water supply and drainage pipes

Note: The inlet and outlet pipes will be provided but installed on site by the customer.

Copyright 2016.
 本图版权归浙江普天集成房屋有限公司所有，除本工程外本图的任何用途和复制，必须获得本公司的书面许可。
 THE OWNERSHIP OF THE COPYRIGHT IN THIS DRAWING IS RETAINED BY ZHEJIANG PUTIAN INTEGRATED HOUSING CO.,LTD. WRITTEN CONSENT MUST BE OBTAINED BEFORE ANY USE OR REPRODUCTION OF THE DRAWING.

| 版本 Rev. | 修改内容 Description | 日期 Date | 发布人 who send |
|---------|------------------|---------|--------------|
| | | | |

PTH
 Zhejiang Putian integrated housing Co., Ltd.
 Hangzhou Zhongpu Architecture Design (institute) Co., Ltd.

证书等级
 证书编号
 合作设计单位
 Cooperative Designer

| 工序 Process | 签名 Signature | 日期 Date |
|------------------|--------------|----------|
| 审定 Authorized By | | |
| 审核 Verified By | | |
| 项目负责人 Process | | |
| 校对人 Checked By | | |
| 设计 Designed By | xj | 04/06/22 |
| 制图 Drawn By | xj | 04/06/22 |

执业签章
 Engineer Signature
 出图签章
 Engineer Signature

项目名称
 Project Name
卡塔尔-集装箱宿舍

图名
给水管布置图

| | | | |
|-------------|------------|------------------|------|
| 工程编号 No. | PT220311-1 | 专业 Discipline | JZ |
| 比例 Scale | | 图号 Fig.No. | J0-8 |

未盖技术出图章 本图纸无效
 This drawing is valid only after being stamped and released by the client.